

Features:

- 2 ~ 12 circuits available
- Material: LCP
- .0246"(0.625mm) square pin
- Tin-plated brass pin
- Standard color: Black

Specification:

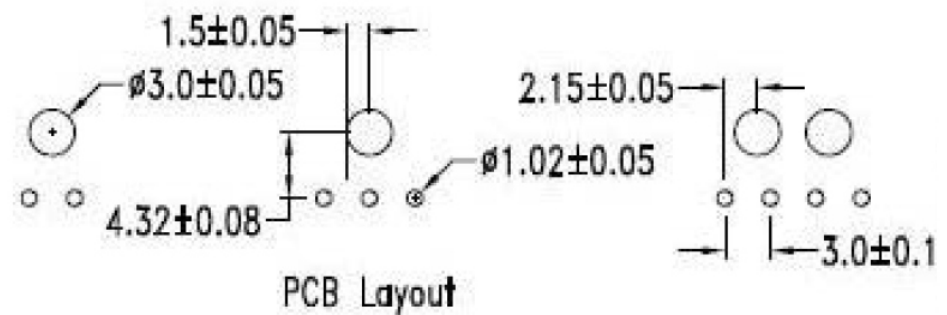
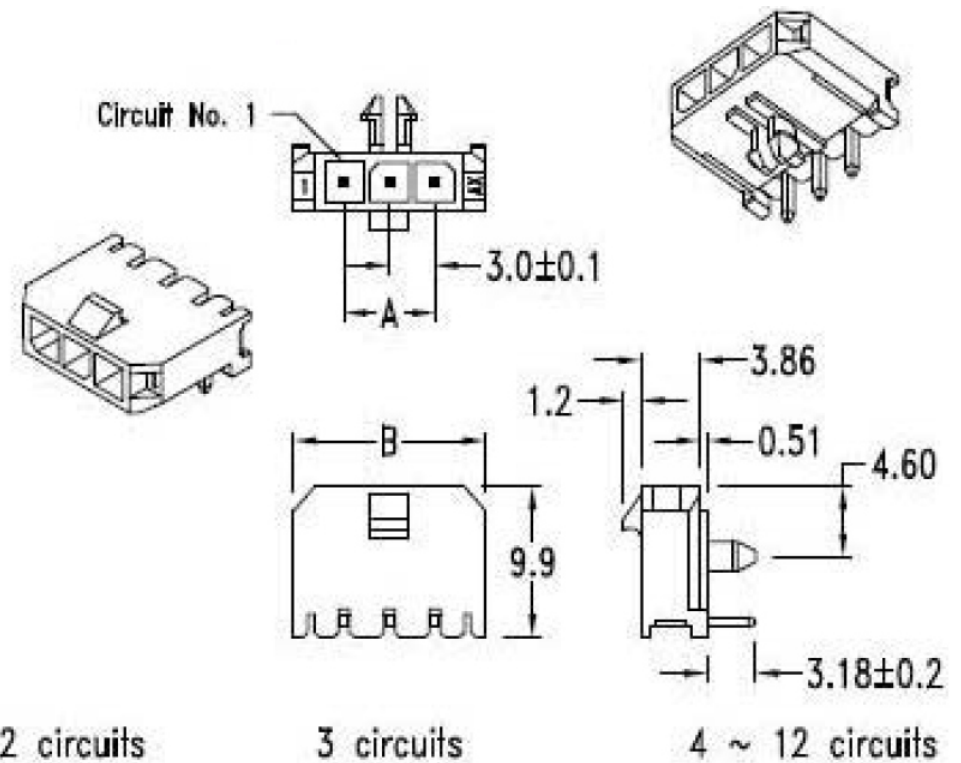
- Current rating:

Wire size	# 20	# 22	# 24	# 26	# 28	# 30
Ampere	5 A	5 A	4 A	3 A	2 A	1 A

- Voltage rating: 250V
- Contact resistance: 10mΩ Max.
- Dielectric strength: 1500V AC/minute
- Temperature rise: 30°C Max. (carry rated current load)

Dimensional Information (mm)

Circuits	Dim. A	Dim. B	Circuits	Dim. A	Dim. B
2	3.0	9.65	8	21.0	27.65
3	6.0	12.65	9	24.0	30.65
4	9.0	15.65	10	27.0	33.65
5	12.0	18.65	11	30.0	36.65
6	15.0	21.65	12	33.0	39.65
7	18.0	24.65			



MORETHANALL
PCB CONNECTORS
Cable ASSEMBLIES

煜倫股份有限公司

www.morethanall.com

RoHS Compliant

DRAWING BY CY

CHECKED BY GENIUS

UNIT / mm SCALE 1 : 1

DATE

SIZE A4

TOLERANCES ARE

X. ±
.X ±
.XX ±
.XXX ±
ANG ±

PJECTION

照片框

ORDER INFORMATION

MIF-PRP-1Xxx-LF
SERIES | LEADFREE
1X02:02WAY
1X12:12WAY
POST
DIP 90°
MALE

DESCRIPTION: