

ELECTRICAL CHARACTERISTICS

CONTACT CURRENT RATING: 1 AMPERE
 DIELECTRIC WITHSTANDING VOLTAGE: 500 VAC
 INSULATION RESISTANCE: 1000 MEGOHMS MIN.
 CONTACT RESISTANCE: 45 MILLIOHMS MAX.

MATERIALS

CONTACTS: COPPER ALLOY
 INSULATOR: THERMOPLASTIC 94V-0
 SHELL: COLD ROLLER STEEL

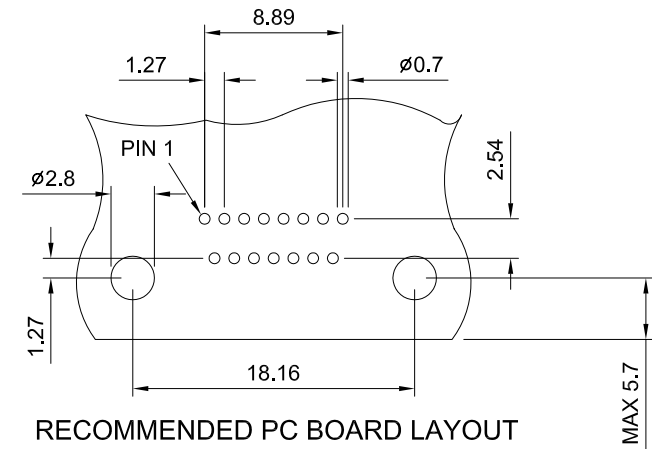
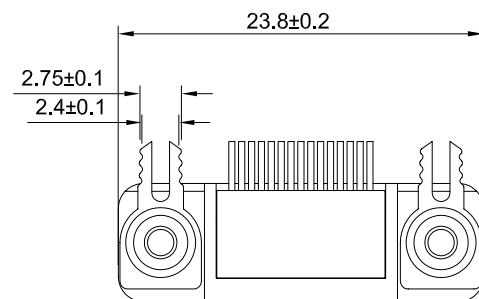
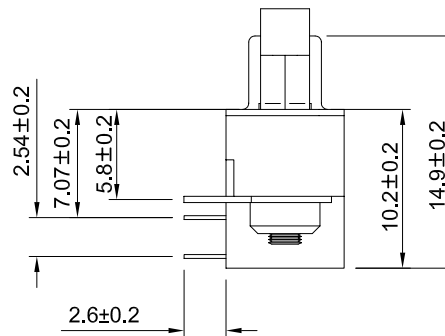
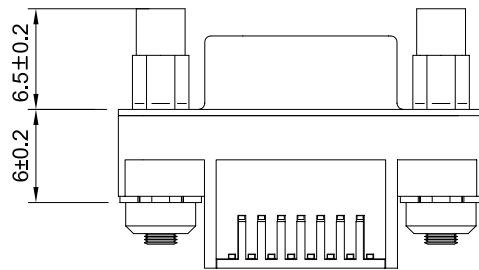
FINISHES

CONTACT: 15 μ" MIN. GOLD ON MATING END;
 TIN ON TERMINATION END;
 ALL UNDERPLATED NICKEL

SHELL: BRIGHT TIN OVER COPPER

ENVIRONMENT

OPERATION TEMPERATURE: -55°C TO + 85°C



RECOMMENDED PC BOARD LAYOUT

(15 POSITION ONLY) TOLERANCE: ±0.05

RoHS Compliant

TOLERANCES ARE



煜倫股份有限公司

www.morethanall.com

DRAWING BY CY

CHECKED BY GENIUS

UNIT / mm SCALE 1 : 1

DATE

SIZE A4

X. ±
 .X ±
 .XX ±
 .XXX ±
 ANG ±

PJECTION

照片框

ORDER INFORMATION

MID-PRNJ-15-LF
 SERIES | | | | LEADFREE
 | | | | 15 WAY
 | | | | JACKSCREW
 | | | | NUT
 | | | | DIP 90°
 | | | | MALE

DESCRIPTION: Micro Miniature 15P Right Angle