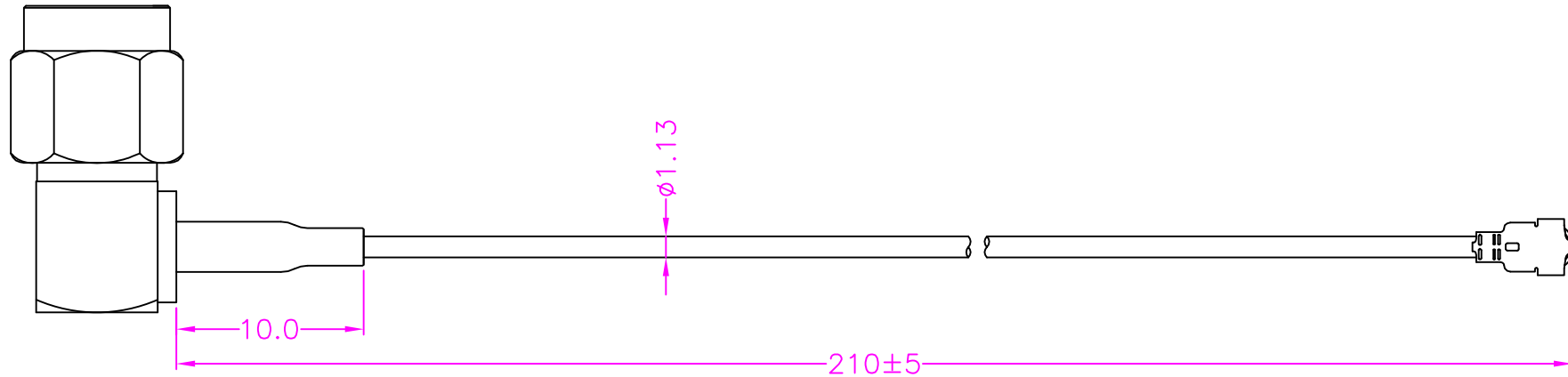


P1: SMA VERTICAL MALE

P2: I-PEX MALE



INFORMATION

P1: SMA R/A MALE, GOLD PLATING ON CONTACT AREA  
 WHITE IN INSULATOR COLOR  
 P2: I-PEX MALE, GOLD PLATING ON CONTACT AREA  
 WHITE IN INSULATOR COLOR  
 CABLE  $\phi 1.13$ mm GRAY

RoHS Compliant

TOLERANCES ARE

**MORETHANALL**  
 PCB CONNECTORS  
 Cable ASSEMBLIES

煜倫股份有限公司

www.morethanall.com

DRAWING BY CY	
CHECKED BY GENIUS	
UNIT / mm	SCALE 1 : 1
DATE	
SIZE A4	P PROJECTION

X, ±  
 .X ± 0.30  
 .XX ± 0.20  
 .XXX ± 0.10  
 ANG ± 5°

照片框

ORDER INFORMATION

MHFSMA-1R1R113-M21C-LF  
 SERIES RT/RT LEADFREE  
 210mm MALE TO MALE  
 RG113

DESCRIPTION: SMA R/A MALE TO I-PEX MALE CABLE