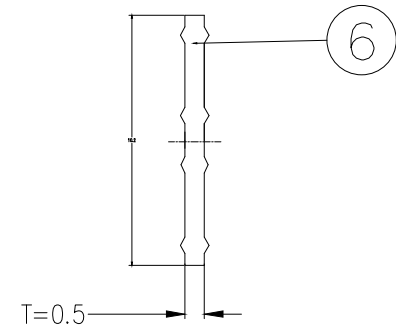
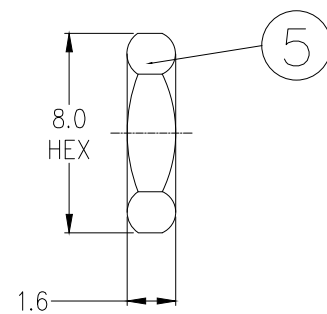
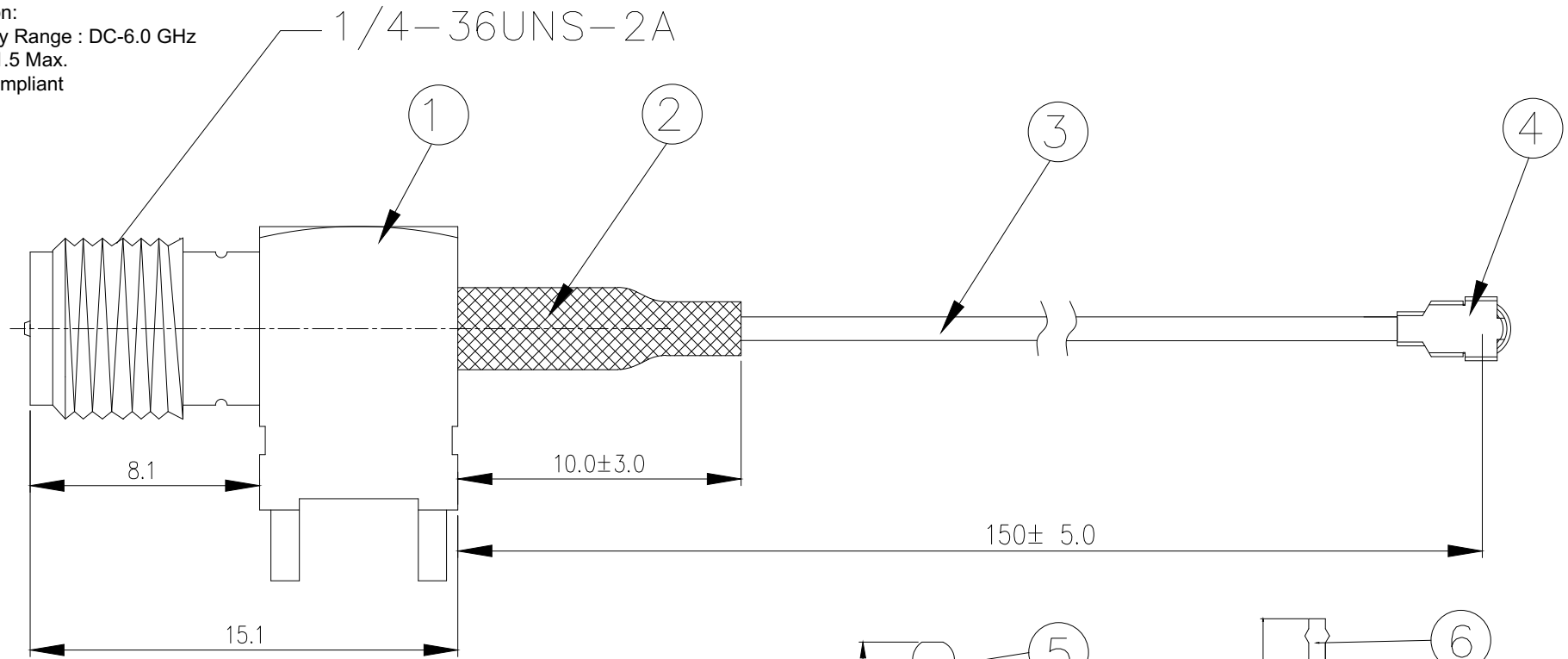


Specification:

- 1. Frequency Range : DC-6.0 GHz
- 2. VSWR : 1.5 Max.
- 3. RoHS Compliant



6	Washer	Brass	Au-Plated	1
5	Nut	Brass	Au-Plated	1
4	Connector	IPEX-I	Au-Plated	1
3	Cable	O.D. 1.13mm	L=150mm ; Gray	1
2	Heat Shrink Tube	EVA	Black	1
1	Connector	SMA Female-R	Au-Plated	1
No.	Name	Material	Finish	Q'ty

RoHS Compliant

TOLERANCES ARE

**MORETHANALL**  
PCB CONNECTORS  
Cable ASSEMBLIES

煜倫股份有限公司

www.morethanall.com

DRAWING BY CY

CHECKED BY GENIUS

UNIT / mm SCALE 1 : 1

DATE

SIZE A4

X. ±  
.X ±  
.XX ±  
.XXX ±  
ANG ±

P PROJECTION

照片框

ORDER INFORMATION

MHFRPSMA-1R1S113RA-E15C-LF

SERIES

RT/ST

1.13mm DIA CABLE

90° FOOT

150mm

LEADFREE

MALE TO FEMALE

DESCRIPTION: