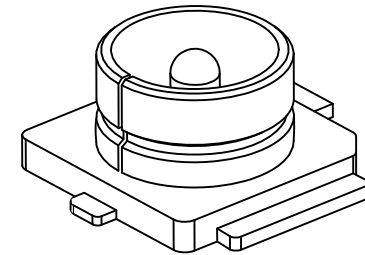


P.C.B LAYOUT
TOP VIEW ±0.05

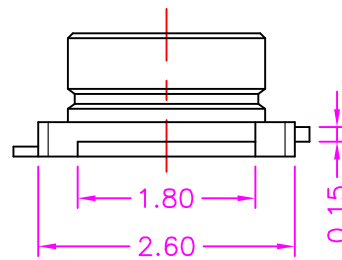
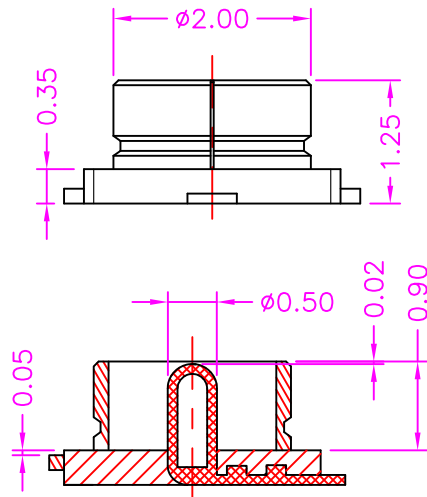


MATERIALS

HOUSING: HI-TEMP. PLASTIC (UL 94V-0)
TERMINAL: COPPER ALLOY, GOLD PLATED

SPECIFICATION

DIELECTRIC WITHSTANDING: 200V AC FOR ONE MINUTE
CONTACT RESISTANCE: 20m OHMS MAX
INSULATION RESISTANCE: 500M OHMS MIN AT DC 100V
OPERATION TEMPERATURE: -40°C~+90°C



RoHS Compliant

TOLERANCES ARE

MORETHANALL
PCB CONNECTORS
Cable ASSEMBLIES

煜倫股份有限公司

www.morethanall.com

DRAWING BY CY

CHECKED BY GENIUS

UNIT / mm SCALE 1 : 1

DATE

SIZE A4

X. ± 0.40

.X ± 0.30

.XX ± 0.20

.XXX ± 0.10

ANG ±

PJECTION

照片框

ORDER INFORMATION

MHF-JV-50-LF
SERIES | T | LEADFREE
50 OHM
180°SMT
JACK

DESCRIPTION: MICRO COAXIAL, SMT, MALE