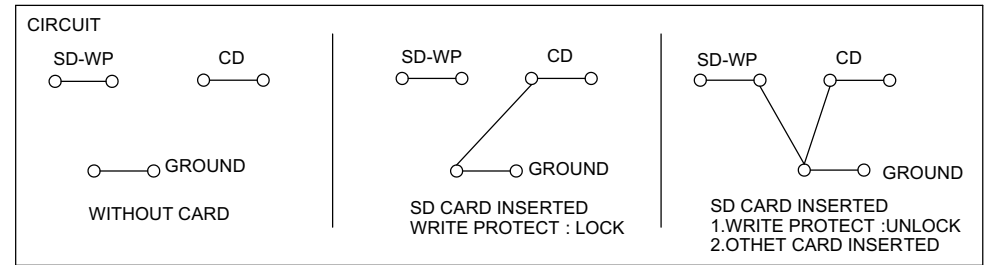
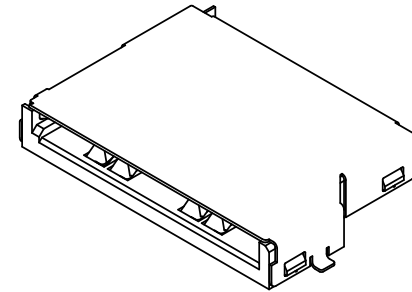


NOTES :  
 1. MATERIAL :  
 INSULATOR : HIGH TEMPERATURE  
 THERMOPLASTIC , UL94V-0.  
 COLOR : BLACK  
 CONTACT : PHOSPHOR BRONZE.



RoHS Compliant

TOLERANCES ARE

**MORETHANALL**  
 PCB CONNECTORS  
 Cable ASSEMBLIES

煜倫股份有限公司

www.morethanall.com

DRAWING BY CY

CHECKED BY GENIUS

UNIT / mm SCALE 1 : 1

DATE

SIZE A4

X. ± 0.50

.X ± 0.30

.XX ±

.XXX ±

ANG ±

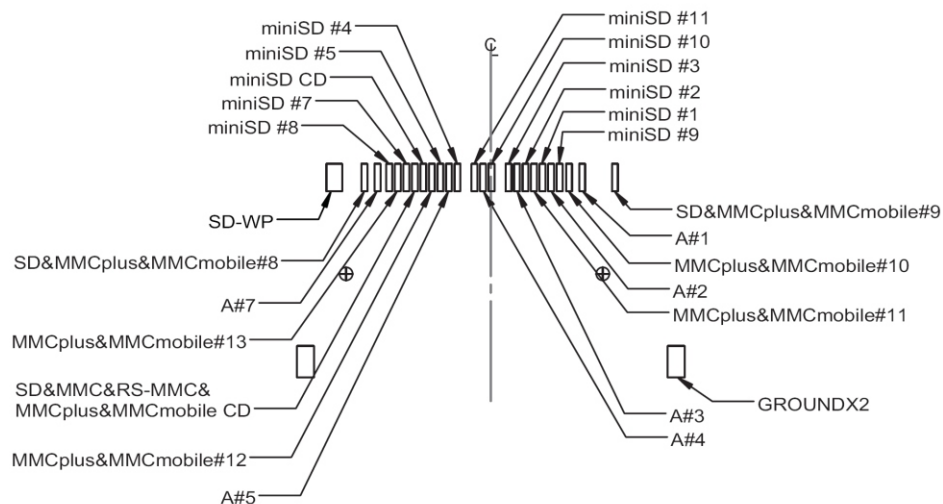
PJECTION

照片框

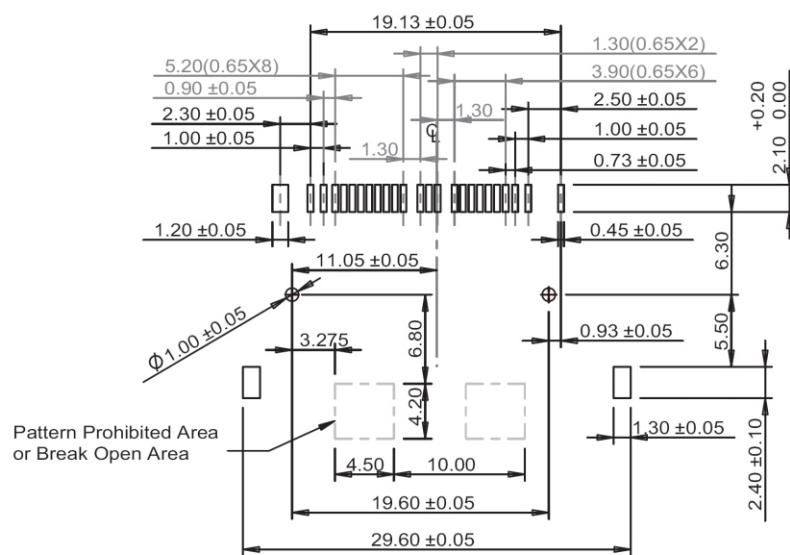
ORDER INFORMATION

MHC-W19-601-LF  
 SERIES | LEADFREE  
 | SD&MMC 6 IN 1  
 | POST 19.60mm  
 | 90°SMT

DESCRIPTION: 6 IN 1 CARD CONNECTOR(SD & miniSD & MMC & RS-MMC & MMCplus & MMCmobile )



PCB LAYOUT



PCB LAYOUT

PIN ASSIGNMENT

PIN NO.	MEMORY CARD PIN NO.
MMCplus&MMCmobile&MMC&RS-MMC&SD#1	(RSV/DAT3)
MMCplus&MMCmobile&MMC&RS-MMC&SD#2	(CMD)
MMCplus&MMCmobile&MMC&RS-MMC&SD#3	(GND)
MMCplus&MMCmobile&MMC&RS-MMC&SD#4	(VCC)
MMCplus&MMCmobile&MMC&RS-MMC&SD#5	(CLK)
MMCplus&MMCmobile&MMC&RS-MMC&SD#7	(DAT0)
MMCplus&MMCmobile&SD#8	(DAT1)
MMCplus&MMCmobile&SD#9	(DAT2)
MMCplus&MMCmobile#10	(DAT4)
MMCplus&MMCmobile#11	(DAT5)
MMCplus&MMCmobile#12	(DAT6)
MMCplus&MMCmobile#13	(DAT7)
miniSD#1	(CD/DAT3)
miniSD#2	(CMD)
miniSD#3	(GND)
miniSD#4	(VCC)
miniSD#5	(CLK)
miniSD#7	(DAT0)
miniSD#8	(DAT1)
miniSD#9	(DAT2)
miniSD#10	(NC)
miniSD#11	(NC)

RoHS Compliant

TOLERANCES ARE

**MORETHANALL**  
PCB CONNECTORS  
Cable ASSEMBLIES

DRAWING BY CY

X ± 0.50

CHECKED BY GENIUS

X ± 0.30

UNIT / mm

SCALE 1 : 1

.XX ±

.XXX ±

ANG ±

DATE

SIZE A4

PPOJECTION

照片框

ORDER INFORMATION

MHC-W19-601-LF  
SERIES | LEADFREE  
SD&MMC 6 IN 1  
POST 19.60mm  
90°SMT

煜倫股份有限公司

www.morethanall.com

DESCRIPTION: 6 IN 1 CARD CONNECTOR(SD & miniSD & MMC & RS-MMC & MMCplus & MMCmobile )