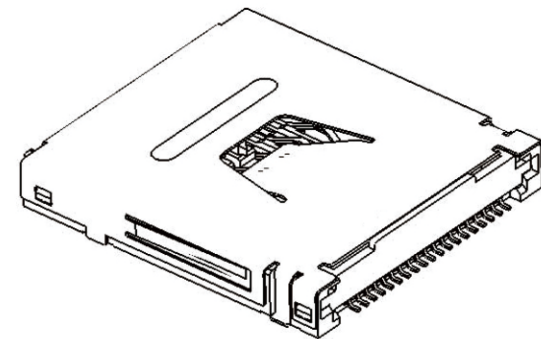


NOTES :

- MATERIAL :
 INSULATOR : HIGH TEMPERATURE THERMOPLASTIC , UL94V-0.
 COLOR : BLACK
 CONTACT : PHOSPHOR BRONZE.
- APPLICATION : SD&HS SD&SDHC&MMC&xD&MS&MS PRO&MagicGate MS&MS-ROM&MS I/O Expansion (It can protect the damage of MSDuo)



RoHS Compliant

TOLERANCES ARE

MORETHANALL
 PCB CONNECTORS
 Cable ASSEMBLIES

煜倫股份有限公司

www.morethanall.com

DRAWING BY CY

CHECKED BY GENIUS

UNIT / mm SCALE 1 : 1

DATE

SIZE A4

X ± 0.50

.X ± 0.30

.XX ± 0.20

.XXX ±

ANG ±

PJECTION

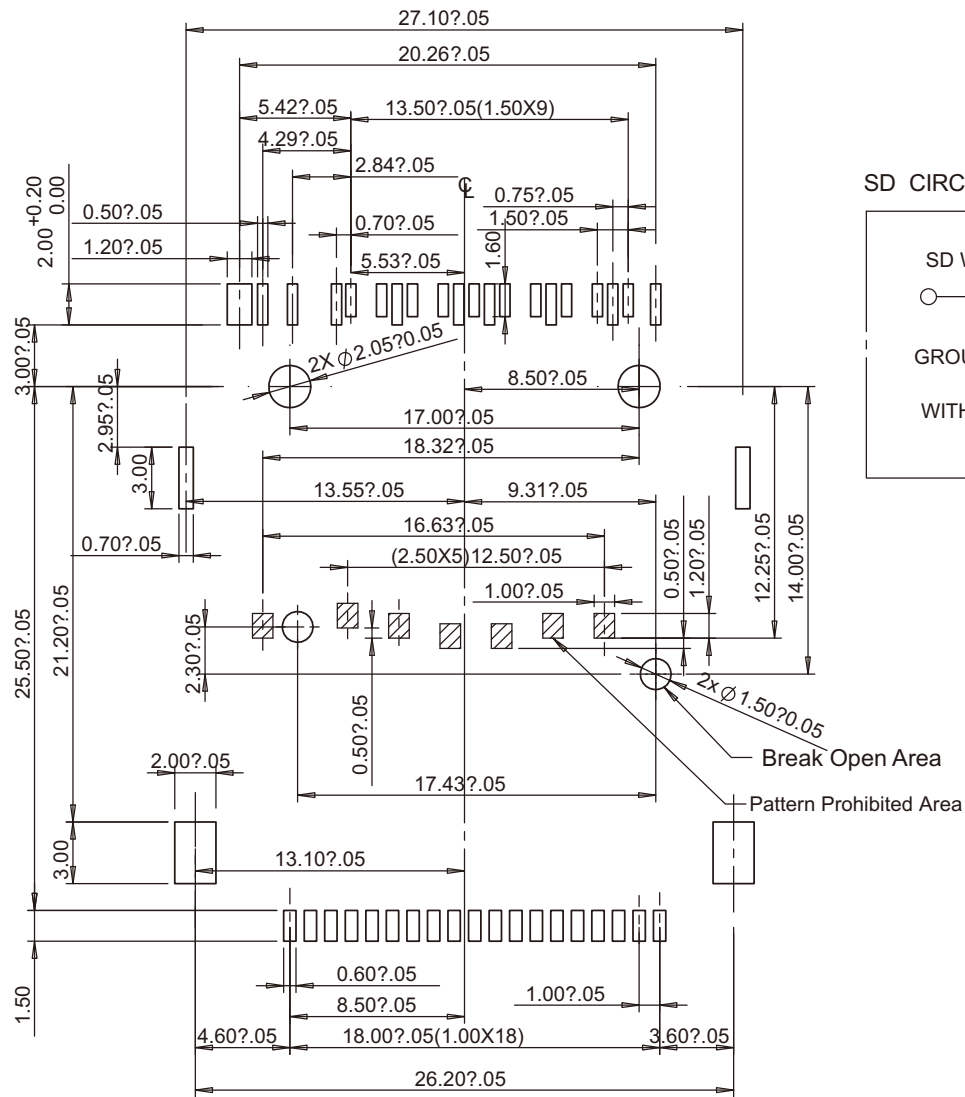
照片框

ORDER INFORMATION

MHC-W17-401-HF

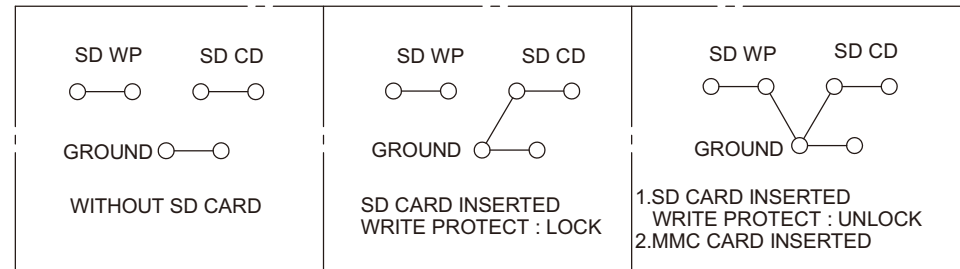
SERIES | HALOGEN FREE
 4 IN 1
 POST TO POST 17.0mm
 90°SMT

DESCRIPTION:



PCB LAYOUT

SD CIRCUIT :



xD CIRCUIT :



煜倫股份有限公司

www.morethanall.com

RoHS Compliant

DRAWING BY CY

CHECKED BY GENIUS

UNIT / mm

SCALE 1 : 1

DATE

SIZE A4

TOLERANCES ARE

X ± 0.50

.X ± 0.30

.XX ± 0.20

.XXX ±

ANG ±

PJECTION

照片框

ORDER INFORMATION

MHC-W17-401-HF

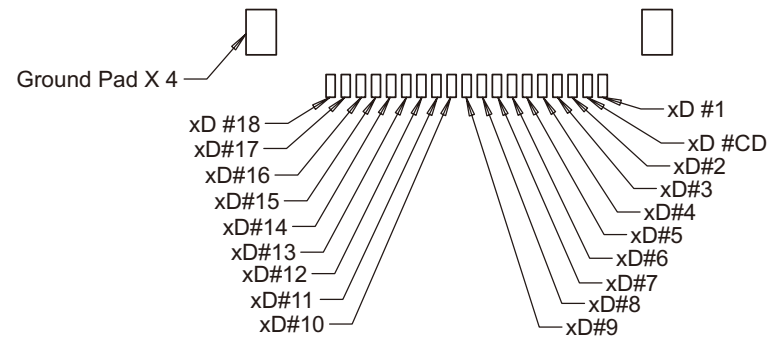
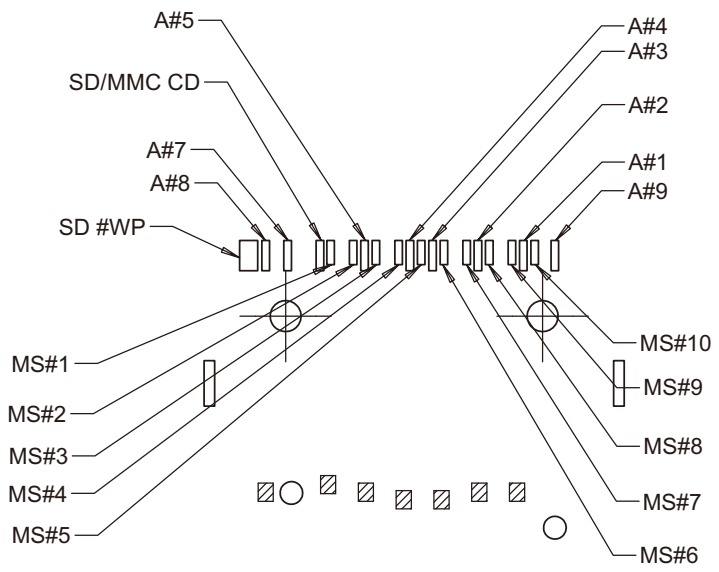
SERIES HALOGEN FREE

4 IN 1

POST TO POST 17.0mm

90°SMT

DESCRIPTION:



PCB LAYOUT

PIN ASSIGNMENT:

PIN NO.	MEMORY CARD PIN NO.	PIN NO.	MEMORY CARD PIN NO.	PIN NO.	MEMORY CARD PIN NO.
A#1	SD/MMC-1 (DAT3)	MS#1	VSS	xD#18	(VCC)
A#2	SD/MMC-2 (CMD)	MS#2	BS	xD#17	(D7)
A#3	SD/MMC-3 (GND)	MS#3	DAT1	xD#16	(D6)
A#4	SD/MMC-4 (VCC)	MS#4	SDIO/DATA0	xD#15	(D5)
A#5	SD/MMC-5 (CLK)	MS#5	DATA2	xD#14	(D4)
A#7	SD/MMC-7 (DAT0)	MS#6	INS	xD#13	(D3)
A#8	SD-8 (DAT1)	MS#7	DATA3	xD#12	(D2)
A#9	SD-9 (DAT2)	MS#8	SCLK	xD#11	(D1)
		MS#9	VCC	xD#10	(D0)
		MS#10	VSS	xD#9	(GND)
				xD#8	(-WP)
				xD#7	(-WE)
				xD#6	(ALE)
				xD#5	(CLE)
				xD#4	(-CE)
				xD#3	(-RE)
				xD#2	(R/-B)
				xD#1	(GND)

RoHS Compliant

TOLERANCES ARE



DRAWING BY CY
 CHECKED BY GENIUS
 UNIT / mm SCALE 1 : 1
 DATE

X. ± 0.50
 .X ± 0.30
 .XX ± 0.20
 .XXX ±
 ANG ±

煜倫股份有限公司

www.morethanall.com

SIZE A4 PPROJECTION

照片框

ORDER INFORMATION

MHC-W17-401-HF
 SERIES | HALOGEN FREE
 4 IN 1
 POST TO POST 17.0mm
 90°SMT

DESCRIPTION: