

Features:

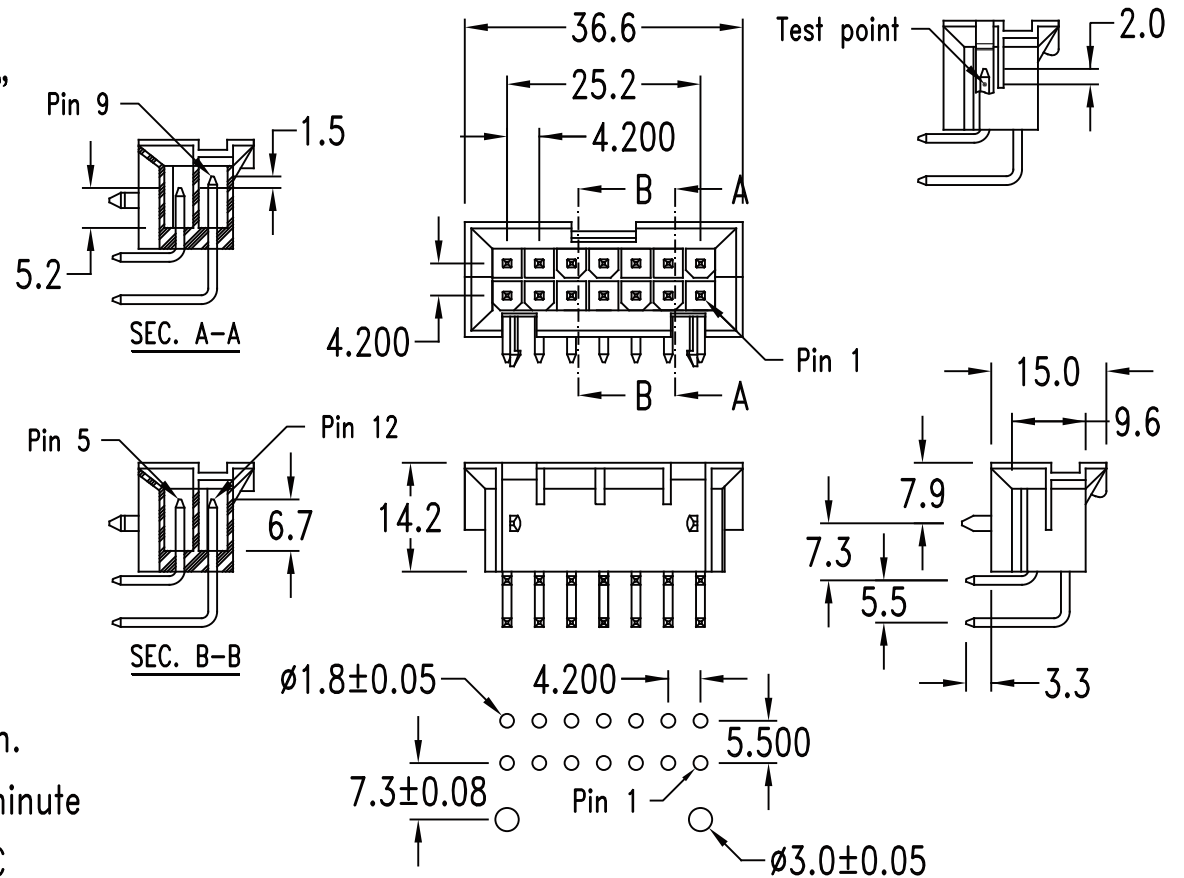
- Plastic material: UL 94V-0 nylon 66
- Pin material: Brass
- Finished: Tin-plated 100u" over nickel 30u"
- .045"(1.14mm) square pin

Specification:

- Voltage rating: 600V AC, DC (R.M.S.)
- Current rating and wire size:

AWG #16:	6A
AWG #18:	4A
AWG #20:	4A
AWG #22:	4A
AWG #24:	3A
AWG #26:	1A
AWG #28:	1A
- Insulation resistance: DC 500V 1000M Ω Min.
- Dielectric withstanding voltage: 1500V AC/minute
- Ambient temperature range: -40°C ~ 105°C

(including temperatute rise)



Recommended P. C. board hole dimension
Thick.: .070"(1.78mm) Max.

RoHS Compliant

TOLERANCES ARE

MORETHANALL
PCB CONNECTORS
Cable ASSEMBLIES

DRAWING BY CY

X, ±
.X ± 0.40
.XX ± 0.25
.XXX ± 0.10
ANG ±

CHECKED BY GENIUS

UNIT / mm SCALE 1 : 1

DATE

SIZE A4

PJECTION

照片框

ORDER INFORMATION

MFB-PRPS30-2X07PM5912-LF

SERIES

MALE

POST

DIP 90°

LEADFREE

PREMATE 5,9,12 PIN

SEMI GOLD 30u"

14 WAY

煜倫股份有限公司

www.morethanall.com

DESCRIPTION: .165"(4.2mm) Right Angle Header