

Features:

- 2 ~ 24 circuits available
- Material: UL 94V-2 nylon 66 or UL 94V-0
- 600V volts rating (R.M.S.)
- Current rating up to 9 amperes per circuit
- Positive housing locks
- Tin

Current rating & wire size:

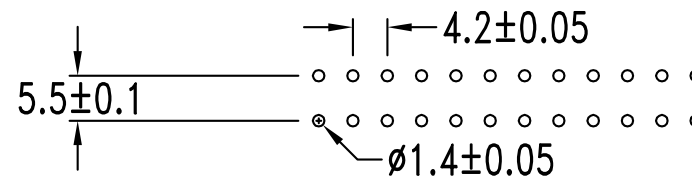
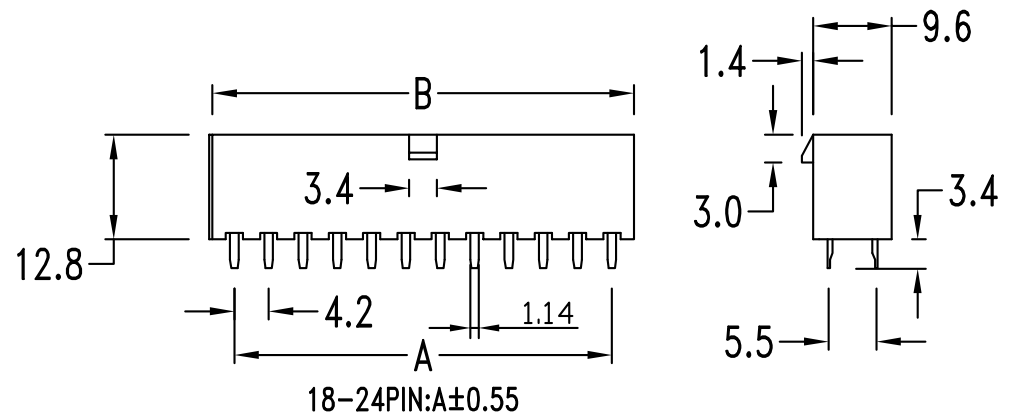
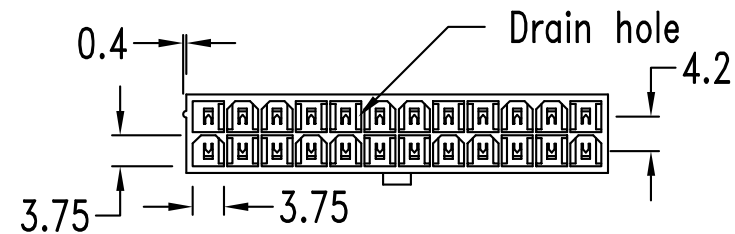
Wire Size AWG	Rated Voltage	Circuits			
		2	4 ~ 6	8 ~ 10	12 ~ 24
#18	250V	9A	8A	7A	6A
#20		7A	6A	5A	5A
#22		5A	4A	4A	4A
#24		4A	3A	3A	3A

Specifications:

- Voltage rating: 600V AC, DC (R.M.S.)
- Dielectric withstanding voltage: 1500V AC/minute
- Ambient temperature range: -40°C ~ 105°C
(Including temperature range)

Ordering Information (mm)

Circuits	Dim. A	Dim. B	Circuits	Dim. A	Dim. B
2		5.4	14	25.2	30.6
4	4.2	9.6	16	29.4	34.8
6	8.4	13.8	18	33.6	39.0
8	12.6	18.0	20	37.8	43.2
10	16.8	22.2	22	42.0	47.4
12	21.0	26.4	24	46.2	51.6



P.C.B. hole dimensions

RoHS Compliant

MORETHANALL
PCB CONNECTORS
Cable ASSEMBLIES

煜倫股份有限公司

www.morethanall.com

DRAWING BY CY

CHECKED BY GENIUS

UNIT/ mm SCALE 1:1

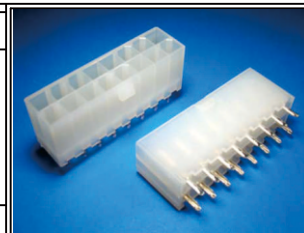
DATE

SIZE A4

PJECTION

TOLERANCES ARE

X. ±
.X ± 0.20
.XX ± 0.10
.XXX ±
ANG ±

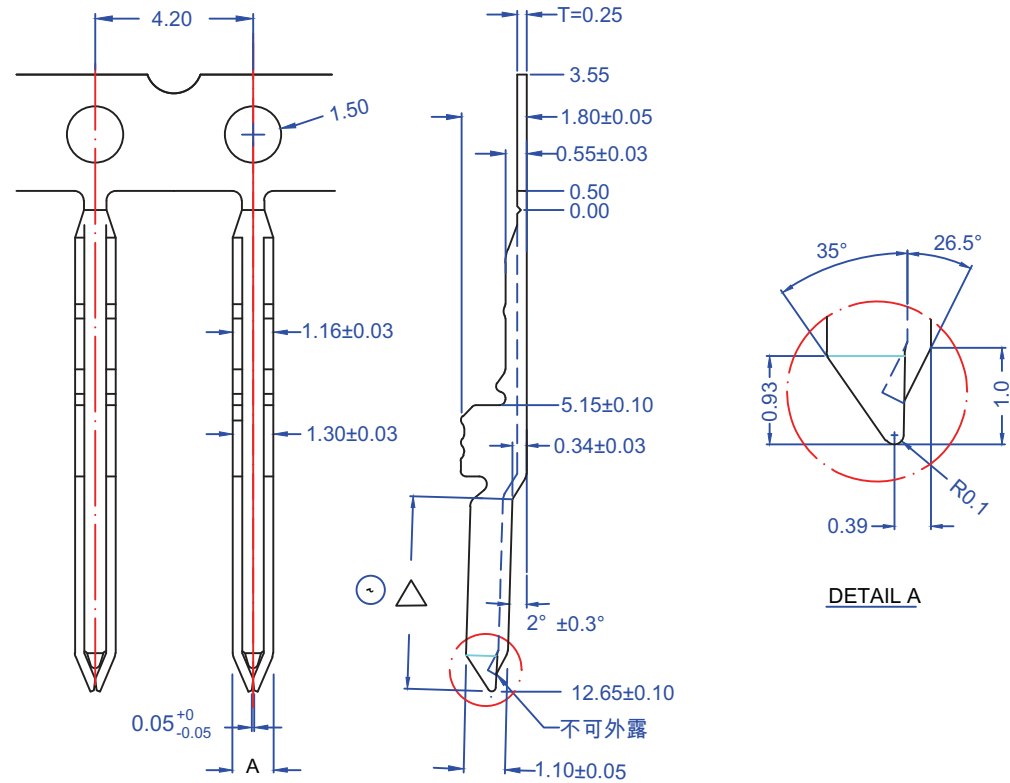


ORDER INFORMATION

MF-PDX-2Xxx-LF
SERIES | LEADFREE
2X02:04WAY
2X12:24WAY
NON POST
DIP 180°
MALE

DESCRIPTION:

1. MATERIAL: BRASS (黃銅)
 2. THICKNESS (厚度): 0.25 mm
 3. 單支退PIN 最小 3 KG
- △ CONTACT AREA MUSTBE FREE BURR
(接觸部位不能有毛邊)



PART NO:		使用客戶	端子類型
A	1.12		自組:料帶&端子皆無預折線 有預斷:料帶無預折,端子有預折線
		+0.03 -0.0	
		+0.01 -0.02	

RoHS Compliant

TOLERANCES ARE

MORETHANALL
PCB CONNECTORS
Cable ASSEMBLIES

煜倫股份有限公司

www.morethanall.com

DRAWING BY CY

CHECKED BY GENIUS

UNIT/ mm

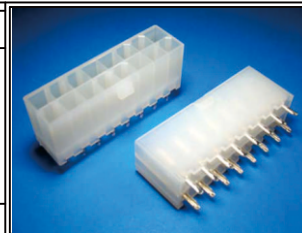
SCALE 1:1

DATE

SIZE A4

PJECTION

X, ±
.X ± 0.20
.XX ± 0.10
.XXX ±
ANG ±



ORDER INFORMATION

MF-PDX-2Xxx-LF
SERIES | LEADFREE
2X02:04WAY
2X12:24WAY
NON POST
DIP 180°
MALE

DESCRIPTION: