

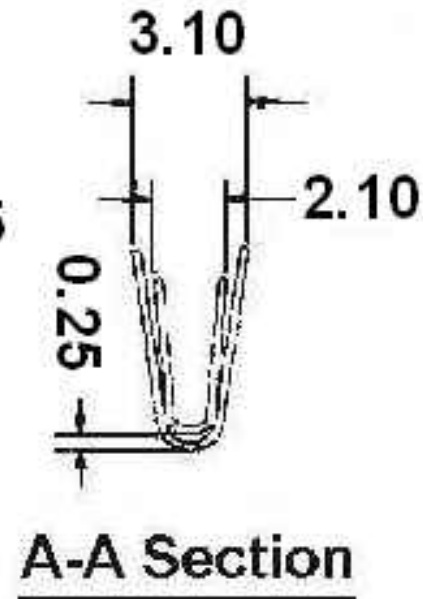
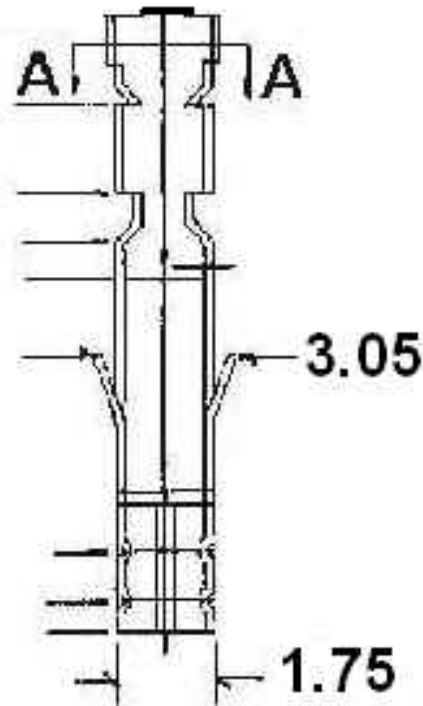
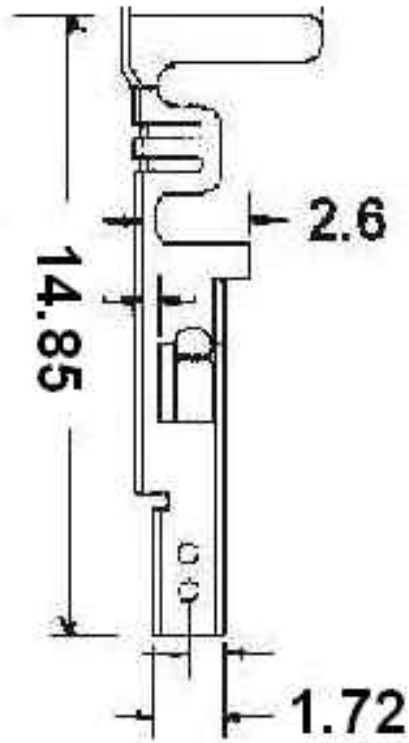
Material: Phos. Bronze & Brass

Finish: Tin

Thickness: 0.2mm

AWG#18~24

Qty: 10000 pcs/roll



RoHS Compliant

TOLERANCES ARE

MORETHANALL
PCB CONNECTORS
Cable ASSEMBLIES

DRAWING BY CY

X.±

CHECKED BY GENIUS

.X±

UNIT / mm

SCALE 1:1

.XX±

DATE

.XXX±

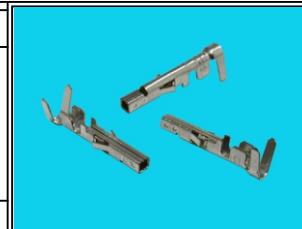
ANG±

煜倫股份有限公司

www.morethanall.com

SIZE A4

PPOJECTION



ORDER INFORMATION

MF-FT1-18-LF
SERIES | LEADFREE
18~24 AWG
SINGLE LOOSE
TERMINAL
FEMALE

DESCRIPTION: