

1. MATERIAL :
 - 1-1. HOUSING : PBT UL94V-0 ; COLOR : BLACK.
 - 1-2. CONTACT : BRASS.
 - 1-3. PLASTIC COVER : ABS ; COLOR : SEE TABLE A
 - 1-4. PLASIC TUBE : ABS OR PC ; COLOR : SEE TABLE A
 - 1-5. POM RING : POM ; COLOR : BLACK.
 - 1-6. SR : PVC ; COLOR : SEE TABLE A.
 - 1-7. SPRING : CARBPN STEEL OR STAINLESS STEEL
 - 1-8. METAL CAP : BRASS
 - 1-9. MATEL SHELL: BRASS
2. FINISH :
 - 2-1. CONTACT : 50 MICRO INCHES MIN. SILVER PLATED
 - 2-4. SPRING : NICKEL PLATED 60u" ~ 100u" OVER ALL.
 - 2-4. METAL CAP : NICKEL PLATED 60u" ~ 100u" OVER ALL.
 - 2-4. MATEL SHELL : NICKEL PLATED 60u" ~ 100u" OVER ALL.
3. ELETRICAL SPECICATION :
 - 3-1. RATED CURRENT : 4PIN: 7.5A/DC MAX
3PIN: PIN1 & PIN2 7.5A/DC ; PIN3 1A/DC
 - 3-2. VOLTAGE : 20V/DC MAX
4. ENVIRONMENTAL :
 - 4-1. OPERATION TEMPERATURE : -20 °C~85°C.

RoHS Compliant

TOLERANCES ARE

MORETHANALL
PCB CONNECTORS
Cable ASSEMBLIES

煜倫股份有限公司

www.morethanall.com

DRAWING BY CY

CHECKED BY GENIUS

UNIT / mm

SCALE 1 : 1

DATE

SIZE A4

X. ±
.X ± 0.25
.XX ± 0.15
.XXX ± 0.10
ANG ± 1°

P PROJECTION

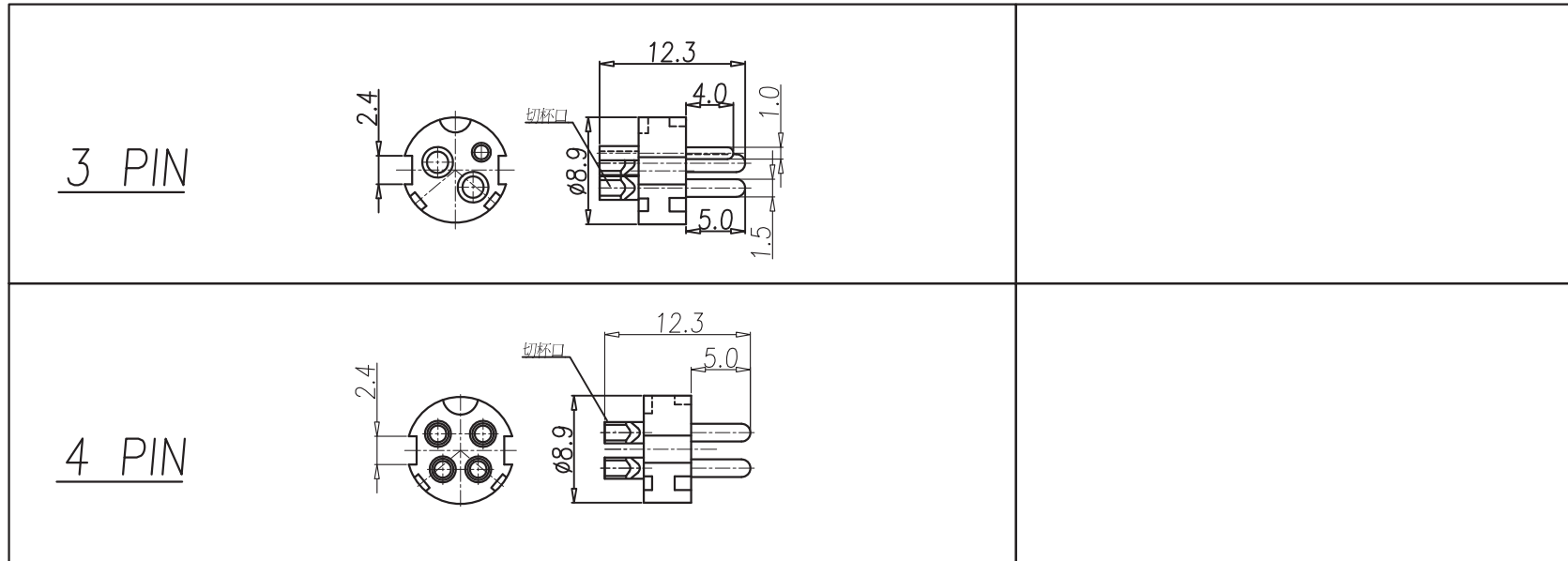


ORDER INFORMATION

MDP-PA2-xx-LF
SERIES | LEADFREE
03-04WAY
ASSEMBLY
MALE

DESCRIPTION: PowerDin 雙頭

TYPE 2:切杯口



RoHS Compliant

TOLERANCES ARE



ORDER INFORMATION

MORETHANALL
PCB CONNECTORS
Cable ASSEMBLIES

煜倫股份有限公司

www.morethanall.com

DRAWING BY CY

CHECKED BY GENIUS

UNIT/ mm

SCALE 1:1

DATE

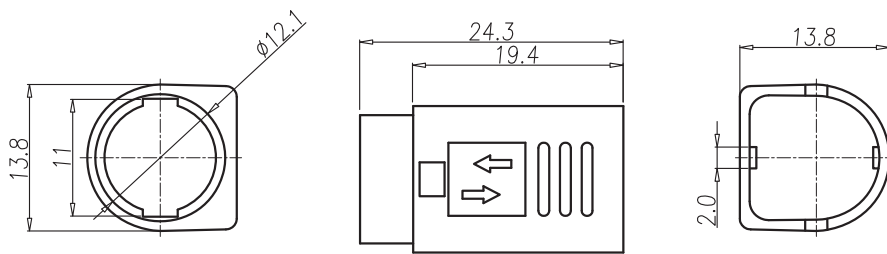
SIZE A4

PPOJECTION

X ±
.X ± 0.25
.XX ± 0.15
.XXX ± 0.10
ANG ±

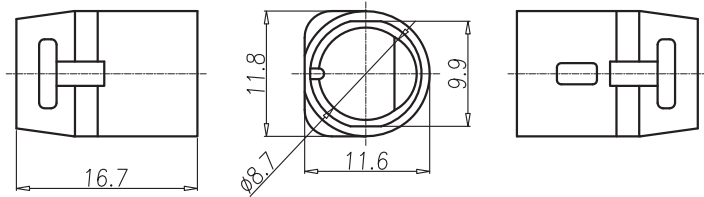
MDP-PA2-xx-LF
SERIES | LEADFREE
03~0 WAY
ASSEMBLY
MALE

DESCRIPTION:

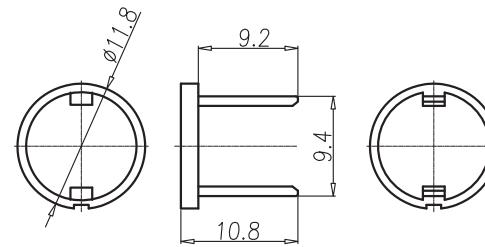


TYPE 2:

PLASTIC COVER



PLASTIC TUBE



POM RING

MORETHANALL
PCB CONNECTORS
Cable ASSEMBLIES

煜倫股份有限公司

www.morethanall.com

RoHS Compliant

DRAWING BY CY

CHECKED BY GENIUS

UNIT / mm SCALE 1:1

DATE

SIZE A4

TOLERANCES ARE

X. ±
.X ± 0.25
.XX ± 0.15
.XXX ± 0.10
ANG ±

PPOJECTION

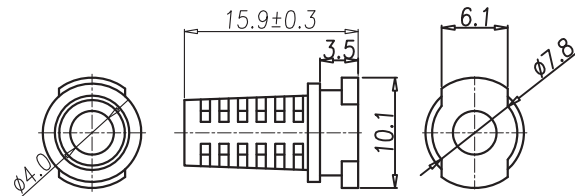


ORDER INFORMATION

MDP-PA2-xx-LF
SERIES | LEADFREE
03-0 WAY
ASSEMBLY
MALE

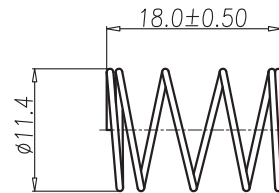
DESCRIPTION:

SR

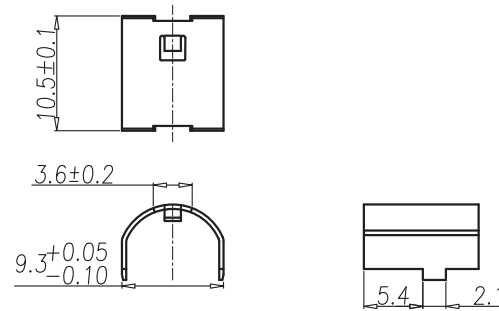


TYPE 2:0D:φ4.0

SPRING



MATEL CAP



MORETHANALL
PCB CONNECTORS
Cable ASSEMBLIES

煜倫股份有限公司

www.morethanall.com

RoHS Compliant

DRAWING BY CY

CHECKED BY GENIUS

UNIT / mm

SCALE 1:1

DATE

SIZE A4

TOLERANCES ARE

X ±
.X ± 0.25
.XX ± 0.15
.XXX ± 0.10
ANG ±

P PROJECTION

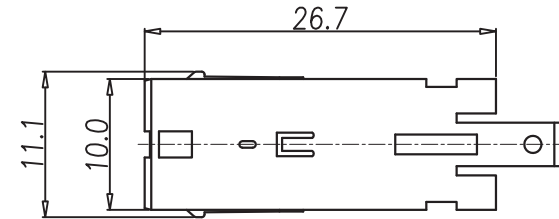
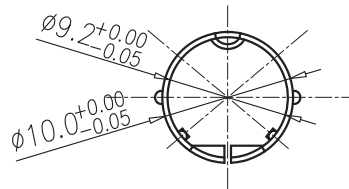


ORDER INFORMATION

MDP-PA2-xx-LF
SERIES | LEADFREE
03-0 WAY
ASSEMBLY
MALE

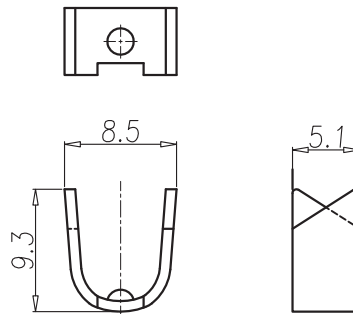
DESCRIPTION:

銅管



TYPE 2:二件式

線扣



MATEL SHELL



MORETHANALL
PCB CONNECTORS
Cable ASSEMBLIES

煜倫股份有限公司

www.morethanall.com

RoHS Compliant

DRAWING BY CY

CHECKED BY GENIUS

UNIT / mm

SCALE 1:1

DATE

SIZE A4

TOLERANCES ARE

X. ±
.X ± 0.25
.XX ± 0.15
.XXX ± 0.10
ANG ±

P PROJECTION

ORDER INFORMATION

MDP-PA2-xx-LF
SERIES | LEADFREE
03-0 WAY
ASSEMBLY
MALE

DESCRIPTION: