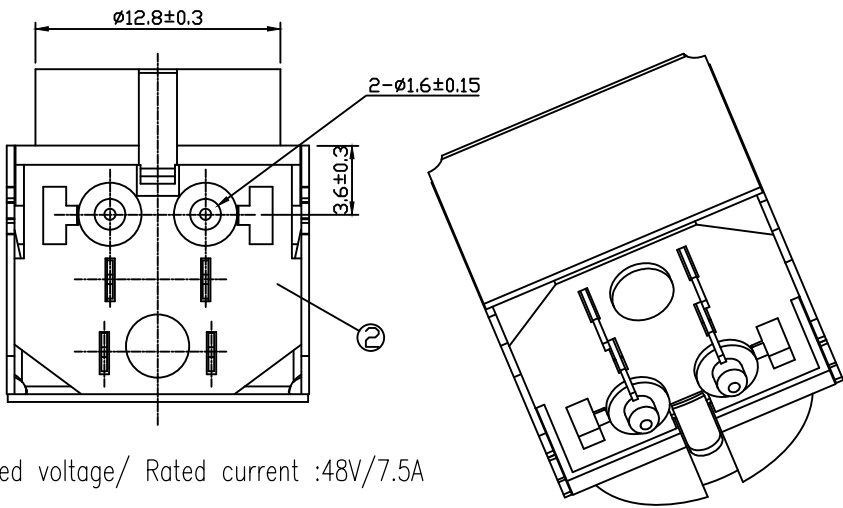


T:1.6 Dimensions of PC board holes  
Tolerance : ±0.05(Printed-Top view)



Rated voltage/ Rated current :48V/7.5A

5	COAT	1	SPCC	t=0.4	Cu/Sn	PLATED
4	GROUND CONTACT	1	C2680	t=0.4	Cu/Sn	PLATED
3	TERMINAL	4	C2680	t=0.3	Ag	PLATED
2	COVER	1	PBT			UL-94V0(BLACK)
1	HOUSING	1	PBT			UL-94V0(BLACK)
LTR	PART NAME	QTY	MATERIAL			REMARK

RoHS Compliant

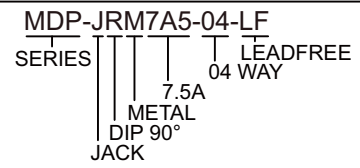
TOLERANCES ARE

**MORETHANALL**  
PCB CONNECTORS  
Cable ASSEMBLIES  
煜倫股份有限公司  
www.morethanall.com

DRAWING BY	CY	X. ± 0.30
CHECKED BY	GENIUS	.X ± 0.20
UNIT / mm	SCALE 1 : 1	.XX ± 0.10
DATE		.XXX ± 0.05
SIZE A4	PJECTION	ANG ±

照片框

ORDER INFORMATION



DESCRIPTION: POWER JACK QUICK LOCK