

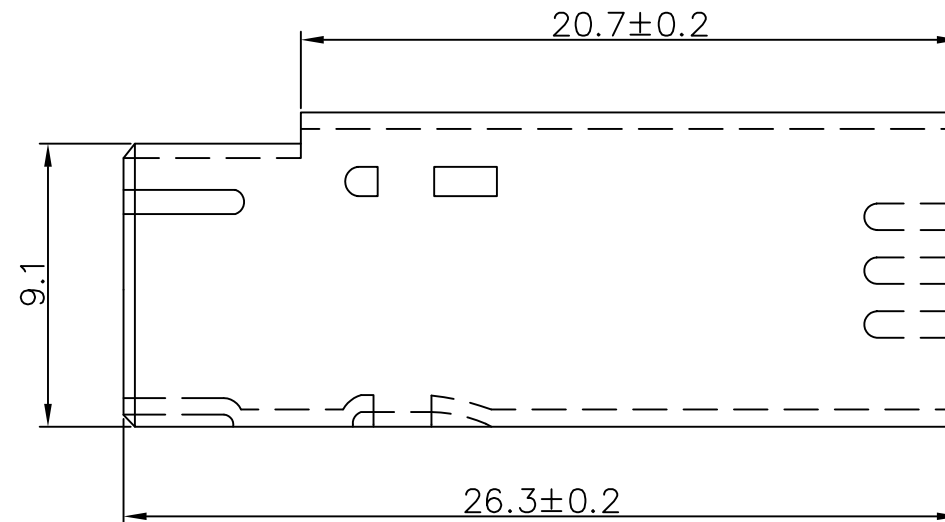
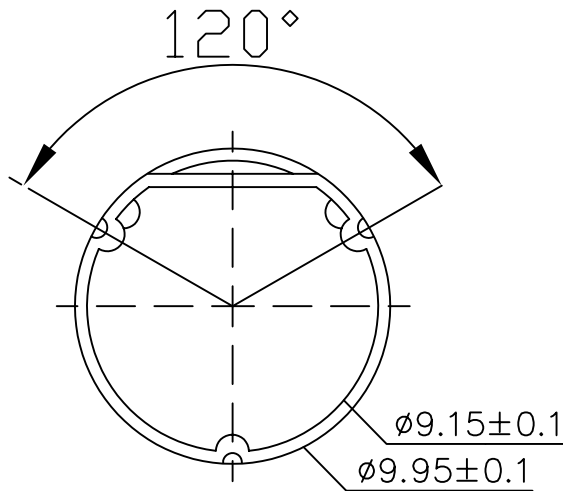
INSULATOR: PBT+30%GF, UL 94 V-0

ELECTRICAL CHARACTERISTICS:

RATING: 100V AC 1A MAX OR
12V DC 2A MAX

INSULATION RESISTANCE:
50mOHM MIN AT 250V DC
250V AC/1 minute

D型銅管: 1. MATERIALS: BRASS, THK=0.4mm
2. FINISH: NICKEL PLATED



RoHS Compliant

TOLERANCES ARE

MORETHANALL
PCB CONNECTORS
Cable ASSEMBLIES

DRAWING BY CY

X.±

CHECKED BY GENIUS

.X±

UNIT / mm

SCALE 1:1

.XX±

DATE

.XXX±

ANG±

SIZE A4

PJECTION

照片框

ORDER INFORMATION

MDM-PL-10-LF
SERIES | T LEADFREE
| 10 WAY
| LONG TUBE
MALE

煜倫股份有限公司

www.morethanall.com

DESCRIPTION: