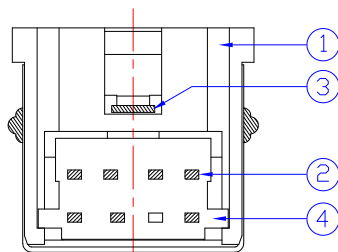
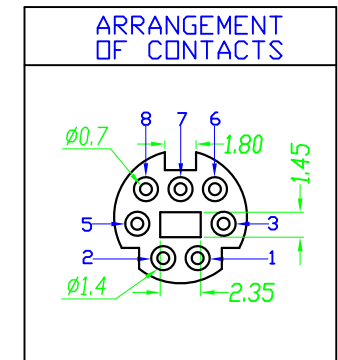


PCB LAYOUT  
(BOTTOM VIEW)



**Specification:**

Contact Resistance: 30m Ohm Max.

Insulation Resistance: 100M Ohm Min.AT 500V DC

Rated Voltage And Current: DC12V.2A Max;AC 100V.1A Max

Dielectric Withstanding Voltage:250V AC For 1 Minute

Insertion Force:4.0KG Maximum.

Extraction Force:0.9KG Minimum.

NO.	NAME	MATERIAL	FINISH	Q'TY	REMARK
1	HOUSING	PBT G.F.	BLACK	1	
2	CONTACT TERM.	PHOS. BRONZE T:0.2	GOLD-TIN PLATED	7	Gold:1~3u"; NI:40~60u"; TIN:120u" (100% pure Tin of lead free plating)
3	GROUND TERM.	BRASS T:0.4	TIN PLATED	1	TIN:120~200u"
4	BOTTOM COVER	PBT G.F.	BLACK	1	
5	SHELL	SPCC. T:0.3	NICKEL PLATED	1	NI:80~120u"

RoHS Compliant

TOLERANCES ARE

**MORETHANALL**  
PCB CONNECTORS  
Cable ASSEMBLIES

煜倫股份有限公司

www.morethanall.com

DRAWING BY CY

CHECKED BY GENIUS

UNIT / mm

SCALE 1 : 1

DATE

SIZE A4

X. ± 0.38

.X ± 0.25

.XX ± 0.13

.XXX ± 0.05

ANG ±

PJECTION

照片框

ORDER INFORMATION

MDJ-MG-07-LF  
SERIES | LEADFREE  
| 07WAY  
| GOLD  
| REAR METAL

DESCRIPTION: MINI DIN JACK FLAT 7 PIN DIP