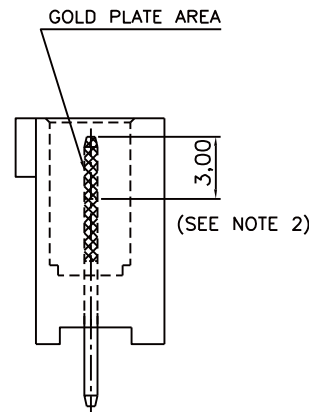
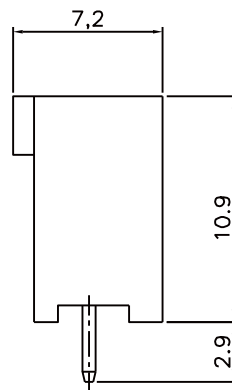
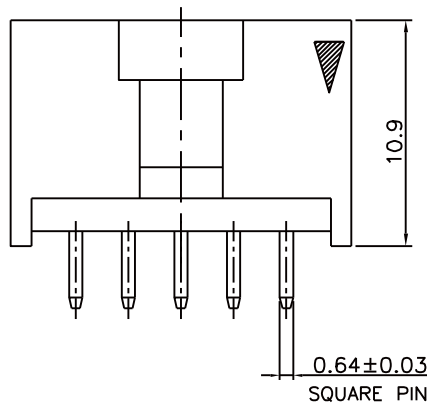


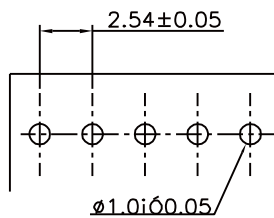
DIMENSIONS.

CIRCUITS	DIM.A	DIM.B
2	2.54	8.8
3	5.08	11.4
4	7.62	13.9
5	10.16	16.4
6	12.70	19.0
7	15.24	21.5
8	17.78	24.1
9	20.32	26.6
10	22.86	29.1
11	25.40	31.7
12	27.94	34.2
13	30.48	36.8
14	33.02	39.3
15	35.56	41.8



NOTES:

- 1.MATERIAL: BASE: GLASS-FILLED P.B.T 94V-0
PIN : BRASS
- 2.MEASUREMENT FOR MINIMUM PLATING THICKNESS.
- 3.FINISH:120u" MIN. TIN OVER 30-50u NICKLE
OR SELECT-GOLD OVER 30-50u NICKLE
- 4.RESISTANCE TO SOLDER HEAT : 260±5°C. 10±1 SECOND MAX.



P. C. BOARD LAYOUT

RoHS Compliant

TOLERANCES ARE

MORETHANALL
PCB CONNECTORS
Cable ASSEMBLIES

煜倫股份有限公司

www.morethanall.com

DRAWING BY CY

CHECKED BY GENIUS

UNIT/ mm SCALE 1 : 1

DATE

SIZE A4

X. ± 0.50
.X ± 0.25
.XX ± 0.12
.XXX ± 0.08
ANG ± 3°

P PROJECTION

照片框

ORDER INFORMATION

MCT-Dx-1Xxx-LF
SERIES | LEADFREE
| 1X02:02WAY
| 1X15:15WAY
G:GOLD
DIP 180° S:SEMI GOLD
T:TIN PLATED

DESCRIPTION: 2.54mm STRAIGHT IN-LINE HEADER