

Material:

Material: NYlon66, UL 94V-0

Pole : 2~26P

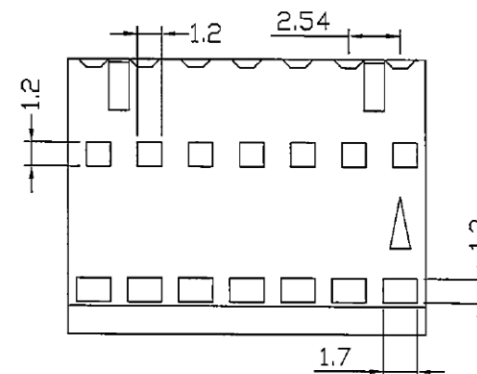
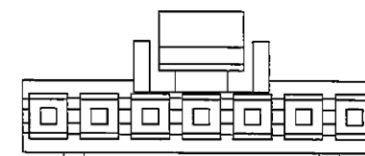
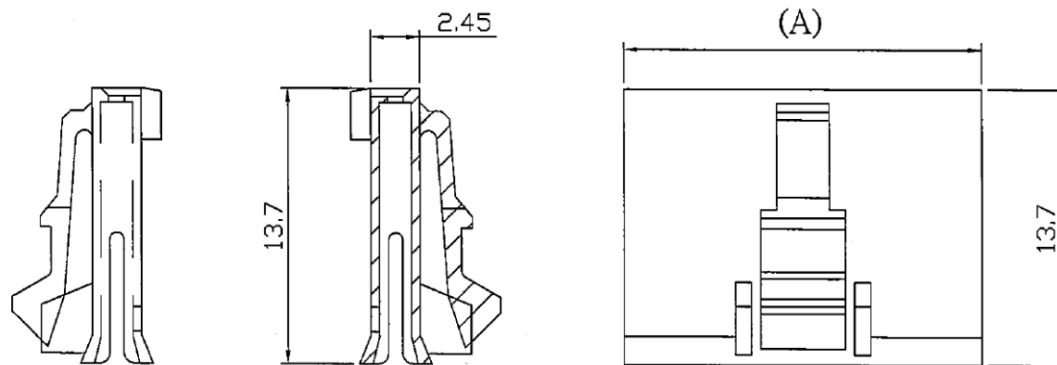
SPECIFICATIONS

Current rating: 2A AC, DC

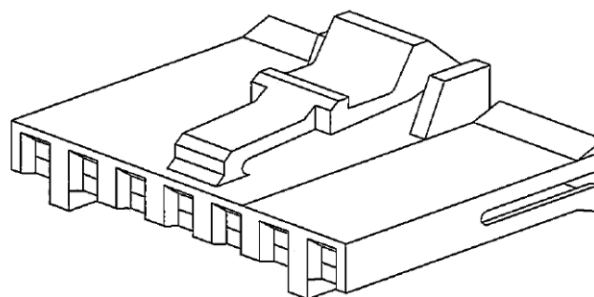
Voltage rating: 250V AC, DC

Temperature range: -25°C~+85°C

Insulation resistance: 1000m Ω min



產品P數	A	產品P數	A	產品P數	A
		11P	27.94	21P	53.34
2 P	5.08	12P	30.48	22P	55.88
3 P	7.62	13P	33.02	23P	58.42
4 P	10.16	14P	35.56	24P	60.96
5 P	12.70	15P	38.10	25P	63.50
6 P	15.24	16P	40.46	26P	66.04
7 P	17.78	17P	43.18		
8 P	20.32	18P	45.72		
9 P	22.86	19P	48.26		
10P	25.40	20P	50.80		



RoHS Compliant

TOLERANCES ARE

MORETHANALL
PCB CONNECTORS
Cable ASSEMBLIES

煜倫股份有限公司

www.morethanall.com

DRAWING BY CY

CHECKED BY GENIUS

UNIT / mm

SCALE 1:1

DATE

SIZE A4

P PROJECTION

X. ±
.X ±
.XX ±
.XXX ±
ANG ±

照片框

ORDER INFORMATION

MCGF-HC-1Xxx-LF

SERIES | LEADFREE
1X02:02 WAY
1X26:26 WAY
C TYPE
HOUSING

DESCRIPTION: