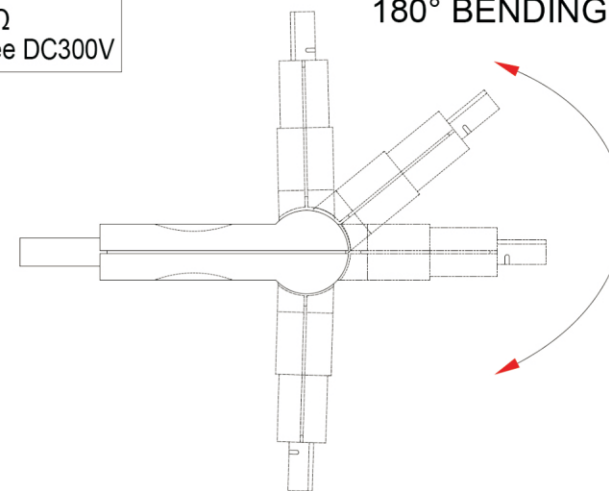


CONNECTIONS		
P1	COLOUR	P2
1	BLACK	1
2	RED	2
3	BROWN	3
4	YELLOW	4
SHELL	DRAIN	SHELL

MBUB-MMRT-5B4A-LF
LEADFREE
RoHS Compliant

Quality Requirement
Continuity: 1Ω
Insulation resistance: 10MΩ
Withstand Voltage: 0.05See DC300V

45° BENDING
90° BENDING
180° BENDING



ROTATE ANGLE STATIONS

Item	Name & Description	Q'TY
1	30AWG*2C+41AWG*2C+AEB 85% ø2.7±0.13mm A001 JACKET	1 PCS
2	USB A TYPE MALE WHITE INSULATION TERMINAL PLATED GOLD FLASH SHELL PLATED NI SOLDER TYPE	1 PCS
3	MINI USB B TYPE 5P MALE BLACK INSULATION TERMINAL PLATED GOLD 30u" SHELL PLATED NI THE FOURTH PIN CUTTED SOLDER TYPE	1 PCS
4	USB A TYPE MALE BLACK ABS TOP AND BOTTOM PLASTIC ASSEMBLY	1 SET
5	MINI USB B TYPE 5PIN MALE BLACK ABS TOP AND BOTTOM PLASTIC ASSEMBLY	1 SET
6	AN ELASTIC BAND WITH TRANSPARENT SILICONE RUBBER COMPOUND GEL	1 SET

RoHS Compliant

TOLERANCES ARE

MORETHANALL
PCB CONNECTORS
Cable ASSEMBLIES
煜倫股份有限公司

DRAWING BY CY

CHECKED BY GENIUS

UNIT / mm SCALE 1 : 1

DATE

SIZE A4

PPOJECTION

X. ±
.X ±
.XX ±
.XXX ±
ANG ±



ORDER INFORMATION

MBUB-MMRT-5B4A-LF
SERIES | LEADFREE
5 PIN B TYPE TO 4 PIN A TYPE
ROTARY
MOLDING
MALE TO MALE

DESCRIPTION:

www.morethanall.com