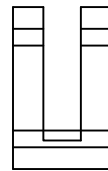
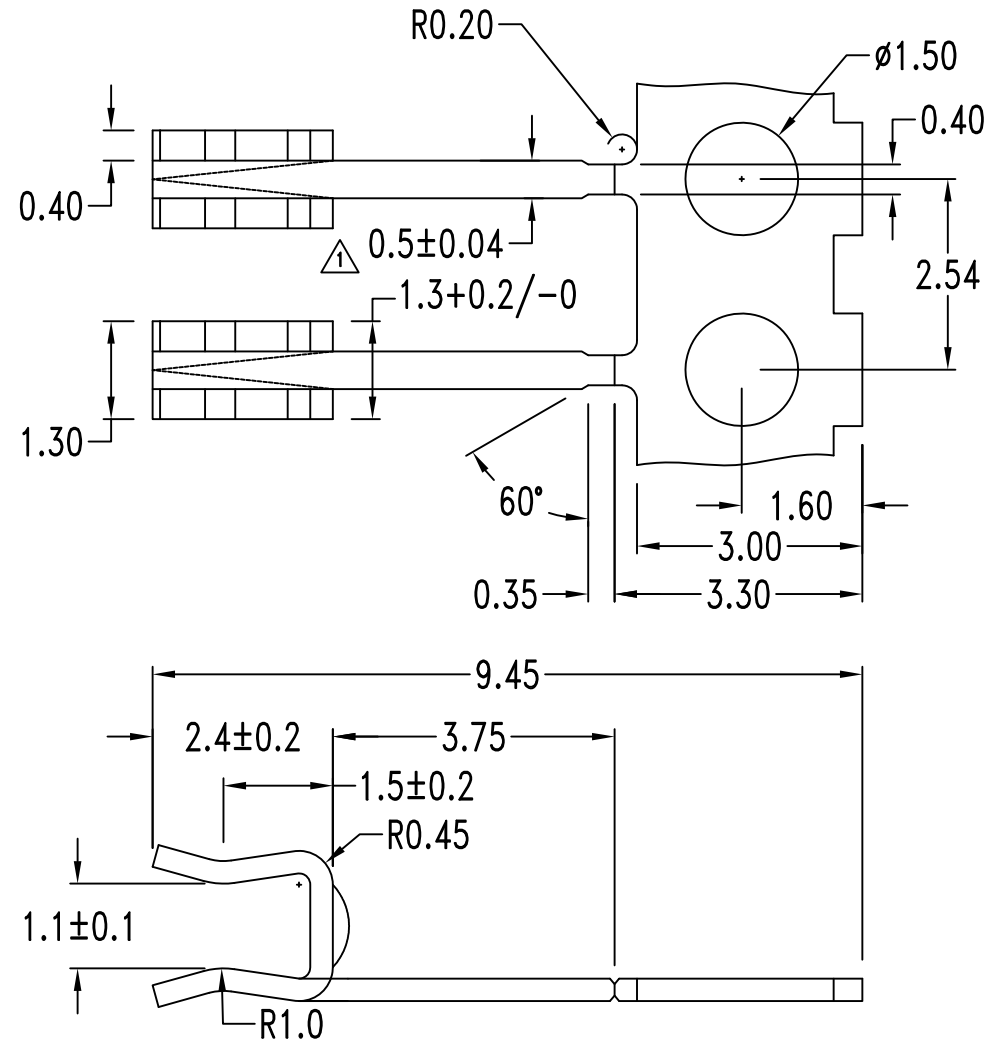


- Material: Phosphor bronze
- Finished: Tin-plated
- Thickness: 0.3mm
- Quantity: 18000 PCS/Reel



RoHS Compliant

TOLERANCES ARE

MORETHANALL
PCB CONNECTORS
Cable ASSEMBLIES

DRAWING BY CY

X ±

CHECKED BY GENIUS

.X ± 0.25

UNIT / mm

SCALE 1 : 1

.XX ± 0.15

DATE

.XXX ± 0.05

ANG ±

SIZE A4

PPOJECTION

照片框

ORDER INFORMATION

MBP254-D-110-LF

SERIES

LEADFREE

1.1mm

180°

煜倫股份有限公司

www.morethanall.com

DESCRIPTION: Module Pin