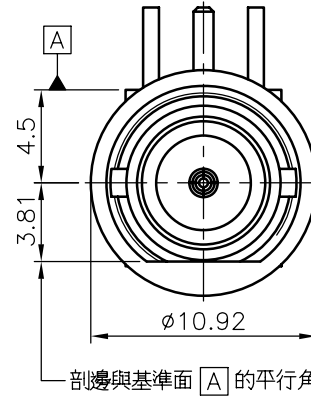
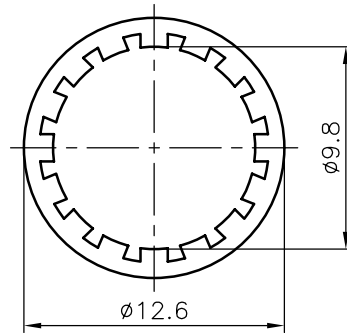
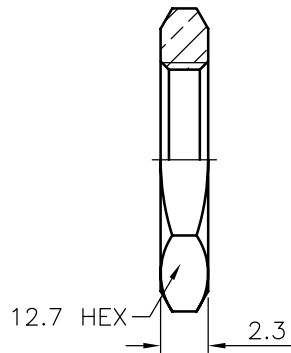
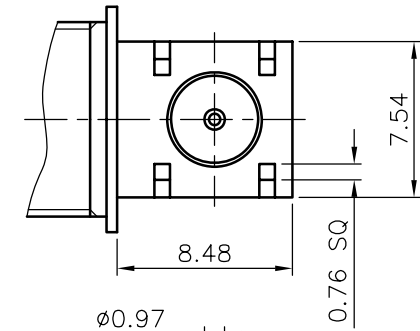
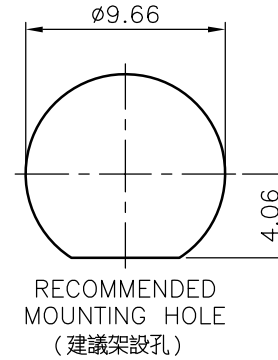
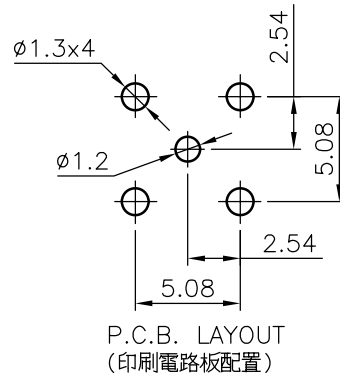
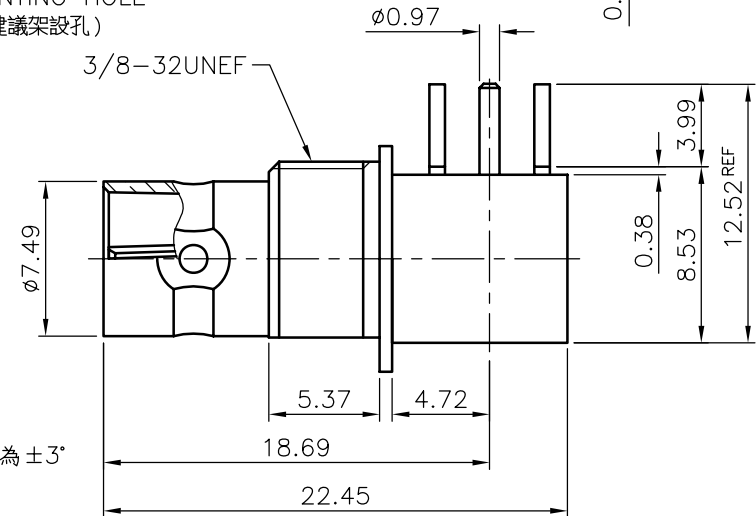


REMARK: RoHS REQUIREMENT APPLIED
(符合 RoHS)



剖面與基準面 A 的平行角度為 ±3°



- NOTES: FINISH (PLATING THICKNESS IN MICRO-INCHES)
1. BRASS PER QQ-B-626
 2. NICKEL PL 70 MIN THICK OVER COPPER STRIKE
 3. GOLD PL 3 MIN OVER NICKEL PL 70 MIN THICK OVER COPPER STRIKE
 4. TEFLON MIL-P-19468
 5. PHOSPHOR BRONZE PER QQ-B-750

1. MAX. PANEL THICKNESS=2mm
(最大板厚)

NO.	DESCRIPTION	MATERIAL	FINISH	Q'TY
	NUT	NOTE 1	NOTE 2	
	WASHER	SS41	NOTE 2	
	INSULATOR	NOTE 4	WHITE	
	LOCK RING	NOTE 1	NOTE 2	
	INSULATOR	NOTE 4	WHITE	
	BODY	NOTE 1	NOTE 2	
	CONTACT PIN	NOTE 5	NOTE 3	
	CUBE BODY	NOTE 1	NOTE 2	

RoHS Compliant

TOLERANCES ARE

MORETHANALL
PCB CONNECTORS
Cable ASSEMBLIES

煜倫股份有限公司

www.morethanall.com

DRAWING BY CY

CHECKED BY GENIUS

UNIT / mm SCALE 1:1

DATE

SIZE A4

X. ±
.X ±
.XX ±
.XXX ±
ANG ±

P PROJECTION

照片框

ORDER INFORMATION

MBNC-JRPB-75-LF

SERIES | | | LEADFREE
75 OHM
PANEL BACK
DIP 90°
JACK

DESCRIPTION: MINI BNC R/A PCB MOUNT JACK