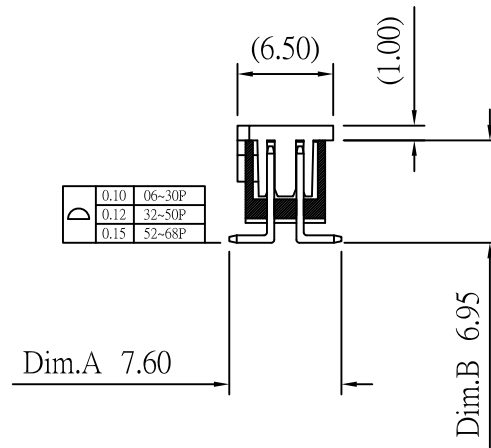
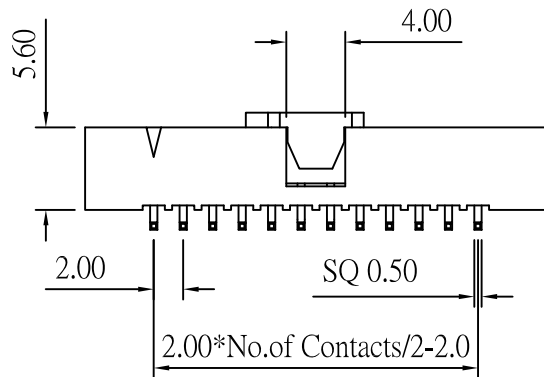
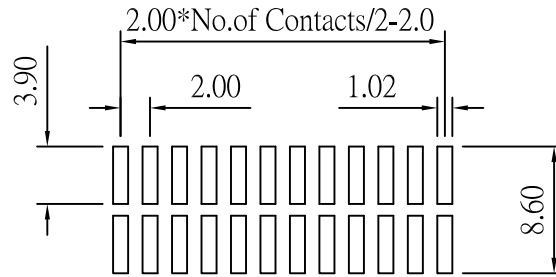
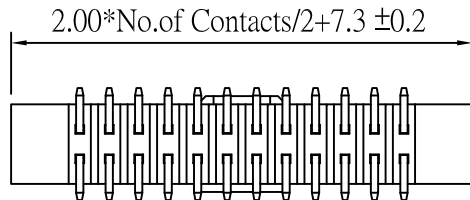


Recommended P.C. Board  
SMD Layout



0.10	06-30P
0.12	32-50P
0.15	52-68P

06~20 pin : 0.20 mm MAX.  
22~50 pin : 0.30 mm MAX.  
52~68 pin : 0.40 mm MAX.



Current Rating and Voltage: 2 Amps 250V AC (r.m.s)  
Insulator Resistance: 5000 Megohms min  
Contact Resistance: 20 m ohms max  
Dielectric Withstanding: 500 V AC  
Operating Temperature: - 40° ~ +105° C  
Max Processing Temp: 230° C for 60 seconds  
Max Processing Temp: 260° C for 10 seconds  
Contact Material: Copper Alloy  
Standard: Brass  
Insulator Material: High Temperature  
Plastic,UL 94V-0  
Finish: Standard: Gold Flash all over

RoHS Compliant

TOLERANCES ARE

**MORETHANALL**  
PCB CONNECTORS  
Cable ASSEMBLIES

DRAWING BY CY

CHECKED BY GENIUS

UNIT / mm

SCALE 1 : 1

DATE

SIZE A4

PJECTION

X, ±  
.X ± 0.30  
.XX ± 0.20  
.XXX ± 0.10  
ANG ±

照片框

ORDER INFORMATION

MB-VC-xxx-LF  
SERIES | LEADFREE  
006~068 WAY  
CAP  
180°SMT

煜倫股份有限公司

www.morethanall.com

DESCRIPTION: