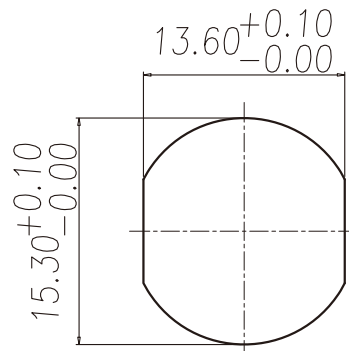


NUT



RECOMMEND PANEL CUT-OUT

1. MATERIAL :

- 1-1. HOUSING : PBT UL94V-0 ; COLOR : BLACK
- 1-2. CONTACT : BRASS
- 1-3. NUT : BRASS
- 1-4. SHELL : BRASS
- 1-5. O-RING : EPDM

2. FINISH :

- 2-1. CONTACT : 10 MICRO INCHES MIN. GOLD PLATED
UNDER PLATE : NICKEL
- 2-2. NUT : NICKEL PLATED
- 2-3. SHELL : NICKEL PLATED

3. ELECTRICAL SPECIFICATION :

- 3-1. Rated current : 1A
- 3-2. Rated Voltage : 30V
- 3-3. Water proof: IPX7

4. Environmental :

- 4-1. Operation Temperature : -40°C~85°C

RoHS Compliant

TOLERANCES ARE

MORETHANALL
PCB CONNECTORS
Cable ASSEMBLIES

煜倫股份有限公司

www.morethanall.com

DRAWING BY CY

CHECKED BY GENIUS

UNIT / mm SCALE 1 : 1

DATE

SIZE A4

X, ±
.X ± 0.20
.XX ± 0.10
.XXX ± 0.05
ANG ± 1°

P PROJECTION

照片框

ORDER INFORMATION

M12-SSPBN-12-LF
SERIES | | | | | | | | | | | | LEADFREE
FEMALE | | | | | | | | | | | | 12 WAY
SOLDER | | | | | | | | | | | | RING
BACK | | | | | | | | | | | | PANEL

DESCRIPTION: WP M12 12PIN(F) 前鎖焊線式