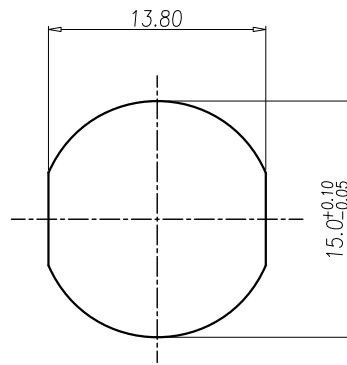


NUT



PANEL CUT-OUT

1. MATERIAL :
 - 1-1. HOUSING : PBT UL94V-0 ; COLOR : BLACK
 - 1-2. CONTACT : BRASS
 - 1-3. SHELL : BRASS
 - 1-4. NUT : BRASS
 - 1-5. O-ring A : EPDM ; COLOR : BLACK.
 - 1-6. O-ring B : NBR ; COLOR : BLACK.
 - 1-7. Epoxy Base :EF400A&EF400B.COLOR:BLACK
2. FINISH :
 - 2-1. CONTACT : 10 MICRO INCHES MIN. GOLD PLATED
UNDER PLATE : NICKEL
 - 2-2. SHELL : NICKEL PLATED.
 - 2-2. NUT : NICKEL PLATED.
3. ELECTRICAL SPECIFICATION :
 - 3-1. Rated current : 5A
 - 3-2. Rated Voltage :125V
 - 3-3. Water proof: IPX7
4. Environmental :
 - 4-1. Operation Temperature : -20 ℃~85℃

RoHS Compliant

TOLERANCES ARE

MORETHANALL
PCB CONNECTORS
Cable ASSEMBLIES

DRAWING BY CY

X.±

CHECKED BY GENIUS

.X±

UNIT / mm

SCALE 1 : 1

.XX±

DATE

.XXX±

ANG±

SIZE A4

PPOJECTION



ORDER INFORMATION

M12-SSPBNO-04D-LF
SERIES | | | | LEADFREE
FEMALE | | | | RING 04 WAY D CODE
NUT
PANEL BACK
SOLDER

煜倫股份有限公司

www.morethanall.com

DESCRIPTION: M12 4PIN (F)D型鍍板焊線