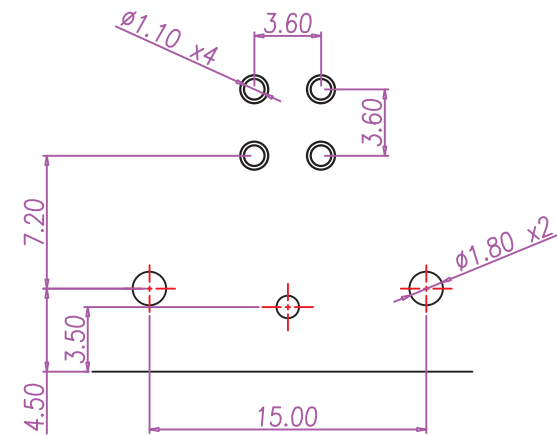
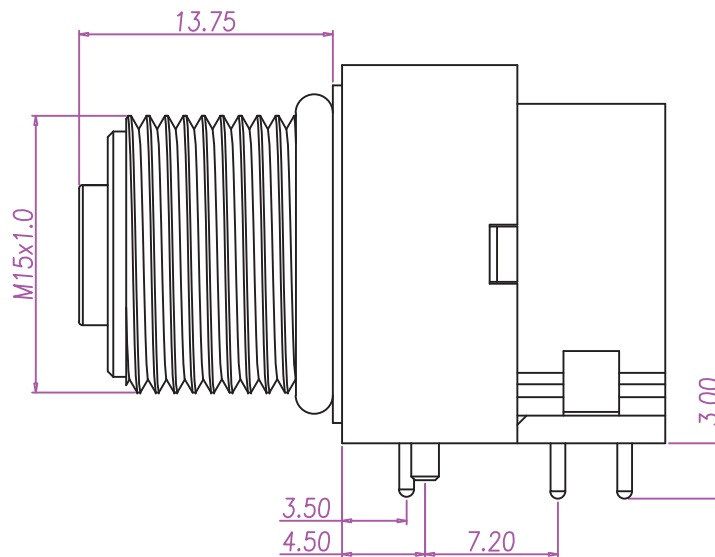
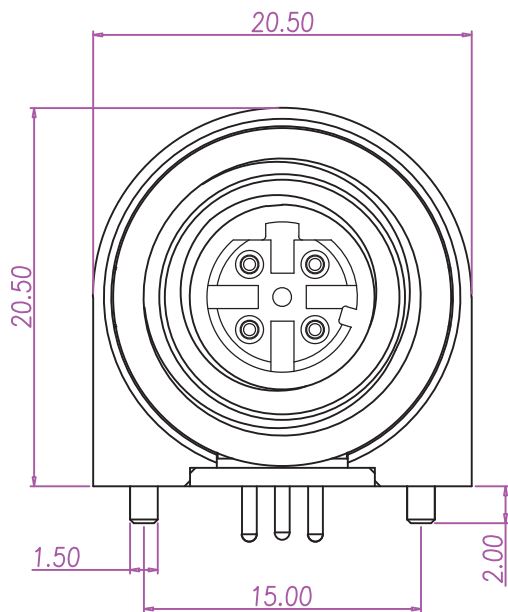


NUT

PANEL CUT-OUT



P.C.B LAYOUT
7P



NOTE:

1. MATERIAL :
 - 1-1. HOUSING : PBT UL94V-0 ; COLOR : BLACK
 - 1-2. CONTACT : BRASS
 - 1-3. NUT : BRASS
 - 1-4. O-RING : NBR ; COLOR : BLACK
 - 1-5. BACK HOUSING : PBT UL94V-0 ; COLOR : BLACK
 - 1-6. DOWN HOUSING : PBT UL94V-0 ; COLOR : BLACK
2. FINISH :
 - 2-1. CONTACT : GOLD FLASH ON OVER ALL
UNDER PLATE : NICKEL
 - 2-2. SHELL : STAIN NICKEL 80u"~100u" ON OVER ALL

RoHS Compliant

TOLERANCES ARE



煜倫股份有限公司

www.morethanall.com

DRAWING BY CY

CHECKED BY GENIUS

UNIT / mm SCALE 1 : 1

DATE

SIZE A4

X, ±
X ± 0.20
.XX ± 0.10
.XXX ± 0.05
ANG ± 1°

P PROJECTION

照片框

ORDER INFORMATION

M12-SRPBNO-04D-LF
SERIES | | | | LEADFREE
FEMALE | | | | RING | | | | 4 WAY D-CODE
NUT | | | | PANEL BACK
DIP 90°

DESCRIPTION: WATERPROOF M12*1.0 (F) 90度板端 D-code