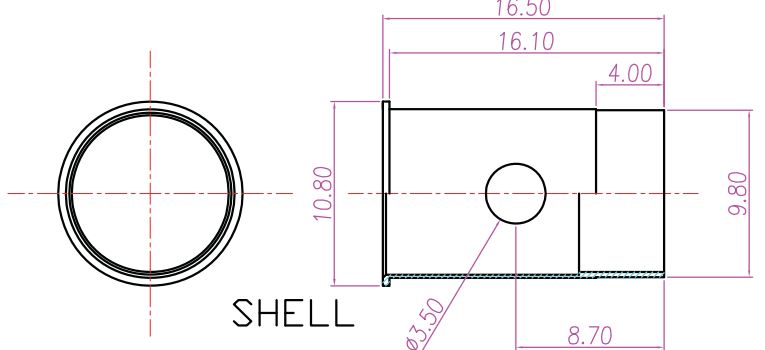


NUT



SHELL

1. MATERIAL :
 - 1-1. HOUSING : PBT UL94V-0 ; COLOR : BLACK
 - 1-2. CONTACT : BRASS
 - 1-3. NUT : BRASS.
 - 1-4. O-RING : EPDM ; COLOR : BLACK(7.5*1.5)
 - 1-5. SHELL : BRASS.
2. FINISH :
 - 2-1. CONTACT : GOLD FLASH MICRO INCHES MIN.
UNDER PLATE : NICKEL
 - 2-2. NUT : NICKEL PLATED.
 - 2-3. SHELL : NICKEL PLATED.
3. ELECTRICAL SPECIFICATION :
 - 3-1. Rated current : 5A
 - 3-2. Rated Voltage :125V
 - 3-3. Water proof: IPX7
4. Environmental :
 - 4-1. Operation Temperature : -20℃~85℃

RoHS Compliant

TOLERANCES ARE



煜倫股份有限公司

www.morethanall.com

DRAWING BY CY

CHECKED BY GENIUS

UNIT / mm SCALE 1 : 1

DATE

SIZE A4

X, ±
X ± 0.25
.XX ± 0.10
.XXX ±
ANG ±

PJECTION

照片框

ORDER INFORMATION

M12-SM-04D-LF
SERIES | LEADFREE
D KEY
04 WAY
MOLDING
FEMALE

DESCRIPTION: M12 5P FEMALE FOR CABLE MOLDING W/SHIELD D CODED