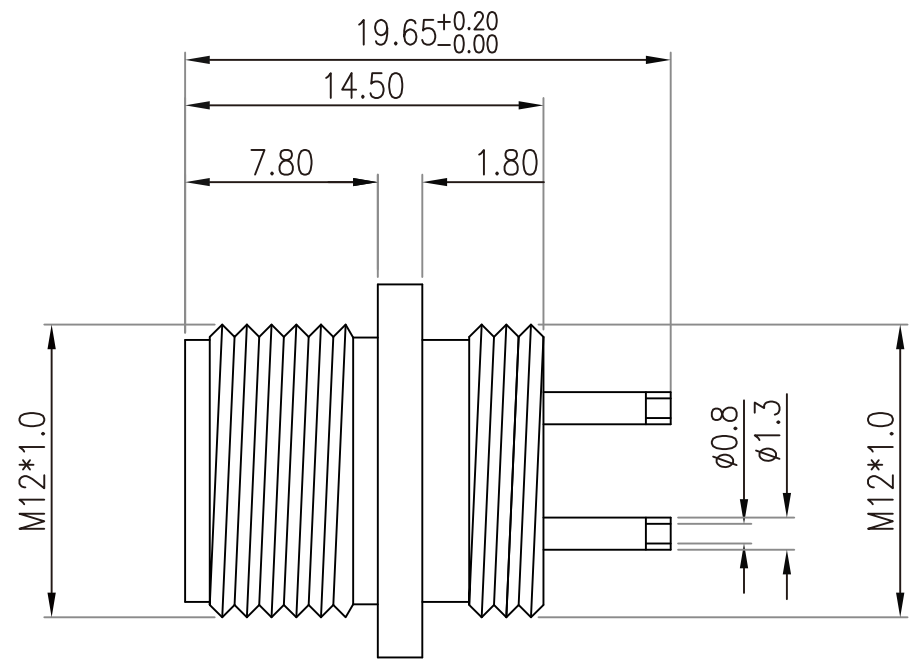
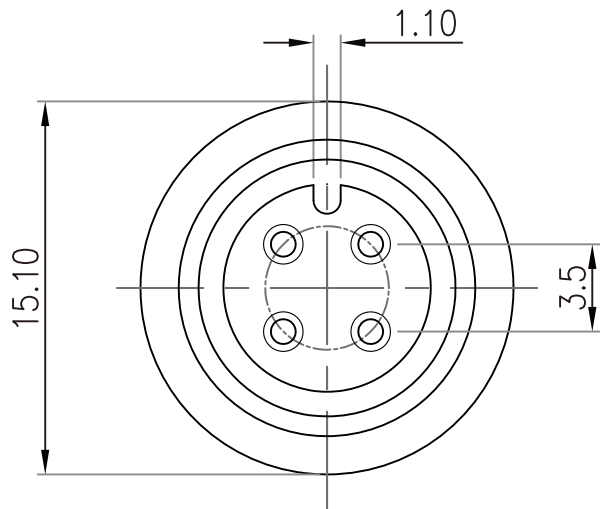


1. MATERIAL :
  - 1-1. HOUSING : PBT UL94V-0 ; COLOR : BLACK
  - 1-2. CONTACT : BRASS
  - 1-3. SHELL : BRASS
2. FINISH :
  - 2-1. CONTACT : NICKEL PLATED
  - 2-2. NUT : NICKEL PLATED.
3. ELECTRICAL SPECIFICATION :
  - 3-1. Rated current : 5A
  - 3-2. Voltage : 125V
  - 3-3. Water proof : IP67
4. Environmental :
  - 4-1. Operation Temperature : -20℃~85℃



RoHS Compliant

TOLERANCES ARE

**MORETHANALL**  
PCB CONNECTORS  
Cable ASSEMBLIES

DRAWING BY CY

CHECKED BY GENIUS

UNIT / mm

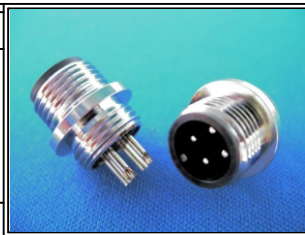
SCALE 1:1

DATE

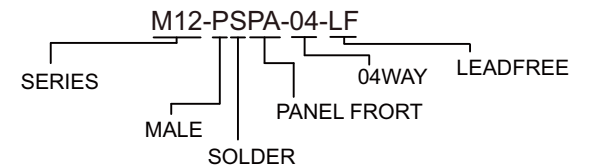
SIZE A4

X, ±  
.X ± 0.20  
.XX ± 0.10  
.XXX ± 0.05  
ANG ± 1°

PPOJECTION



ORDER INFORMATION



DESCRIPTION: 防水頭 4PIN(M) 圓形外徑 M12\*1.0(半成品)

煜倫股份有限公司

www.morethanall.com