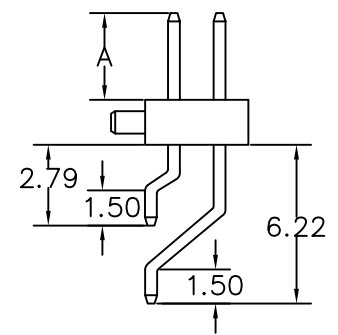


RECOMMENDED P.C.B LAYOUT



A: 4.00 mm

MATERIAL

HOUSING : THERMOPLASTIC UL94V-0  
CONTACT : COPPER ALLOYS

SPECIFICATION

CURRENT: 1A  
OPERATING TEMPERATURE: -55°C TO +105°C  
CONTACT RESISTANCE : 20 MILLIOHMS MAX  
INSULATION RESISTANCE : 5000 MEGAOHMS MIN  
DIELECTRIC STRENGTH : 1000 VAC MIN  
DURABILITY : 100 CYCLES  
RETENTION FORCE : 700g MIN

CONTACTS	
2X3	2X17
2X4	2X18
2X5	2X19
2X6	2X20
2X7	2X21
2X8	2X22
2X9	2X23
2X10	2X24
2X11	2X25
2X12	2X26
2X13	2X27
2X14	2X28
2X15	2X29
2X16	2X30

RoHS Compliant

TOLERANCES ARE



DRAWING BY CY

CHECKED BY GENIUS

UNIT / mm SCALE 1 : 1

DATE

SIZE A4 PROJECTION

X. ±  
.X ±  
.XX ±  
.XXX ±  
ANG ±

照片框

ORDER INFORMATION

M-WP-2Xxx-LF  
SERIES | LEADFREE  
2X03:06 WAY  
2X30:60 WAY  
POST  
90°SMT

DESCRIPTION:

煜倫股份有限公司

www.morethanall.com