

Material :

- * Base: Heat resistance plastic, UL94 V-0; Color:black
- * Cap: Heat resistance plastic, Color:black
- * Contact: Phosphor bronze
- * Sell: Phosphor bronze

Plating :

- * Contact: Contact area is plated Gold with selected and other area is plated with Gold flash, over all Nickel $1.27\mu\text{m}$ ($50\mu''$) under plated.
- * Shell: Matte Tin(Lead Free)

RoHS Compliant

TOLERANCES ARE

MORETHANALL
PCB CONNECTORS
Cable ASSEMBLIES

DRAWING BY CY

CHECKED BY GENIUS

UNIT / mm

SCALE 1 : 1

DATE

SIZE A4

X. \pm
.X ± 0.25
.XX ± 0.15
.XXX \pm
ANG \pm

PPOJECTION

照片框

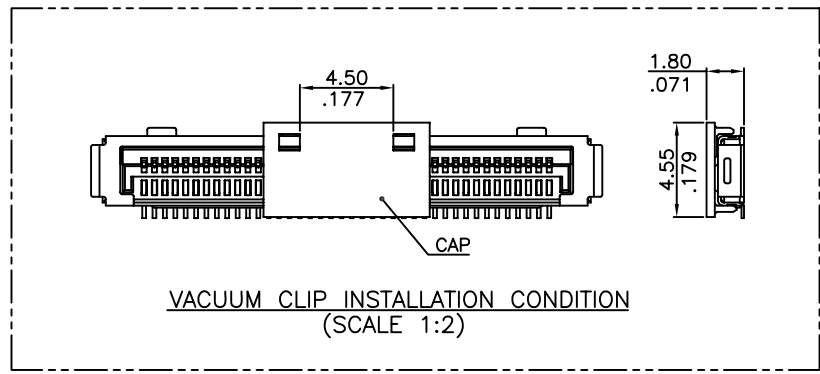
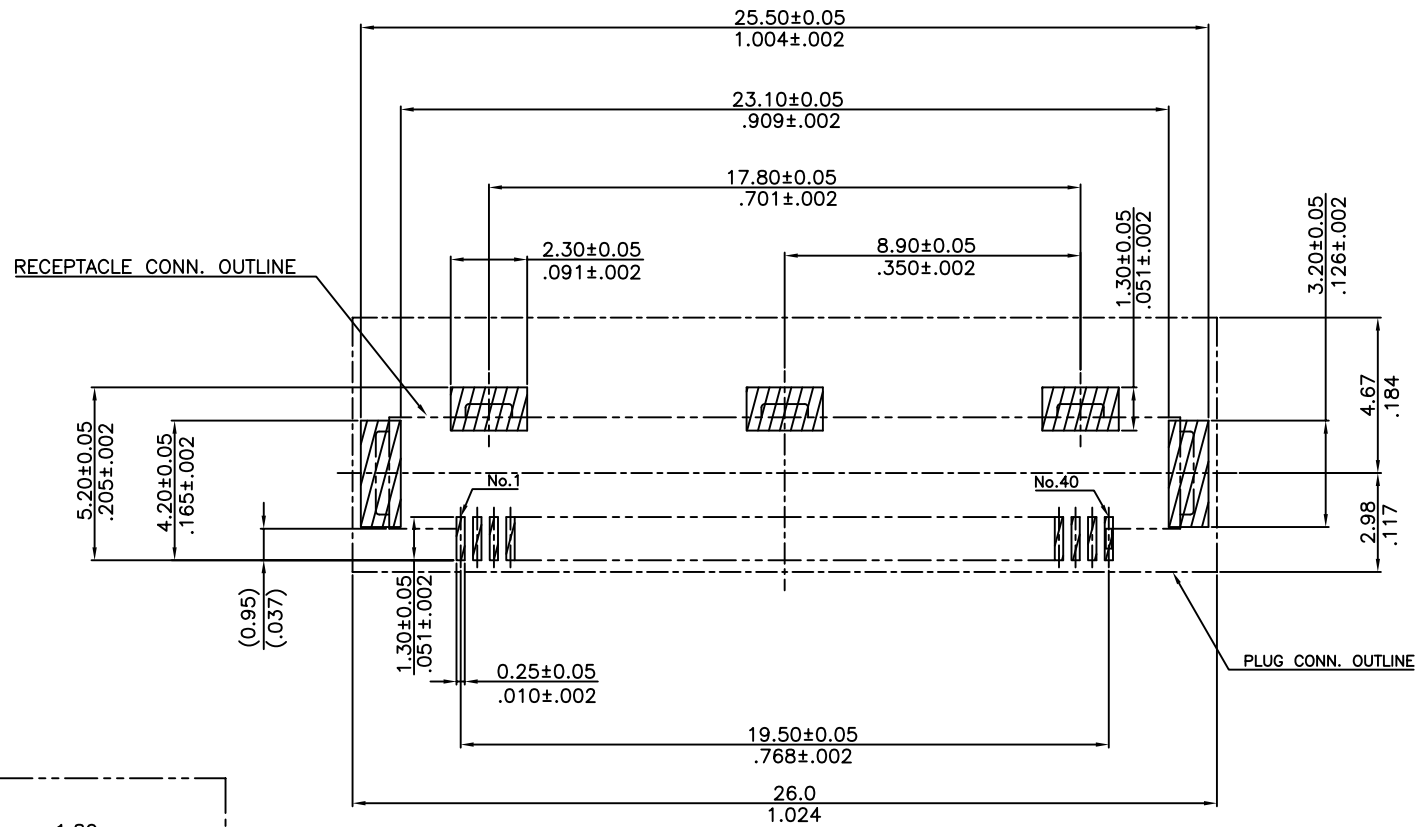
ORDER INFORMATION

LVC-VXCR-40-LF
SERIES | REEL | CAP | NON POST | 180°SMT | LEADFREE | 40 WAY

DESCRIPTION:

煜倫股份有限公司

www.morethanall.com



Recommended PCB Layout

RoHS Compliant

TOLERANCES ARE

MORETHANALL
PCB CONNECTORS
Cable ASSEMBLIES

DRAWING BY CY

X. ±

CHECKED BY GENIUS

.X ± 0.25

UNIT / mm

SCALE 1 : 1

.XX ± 0.15

DATE

.XXX ±

ANG ±

煜倫股份有限公司

www.morethanall.com

SIZE A4

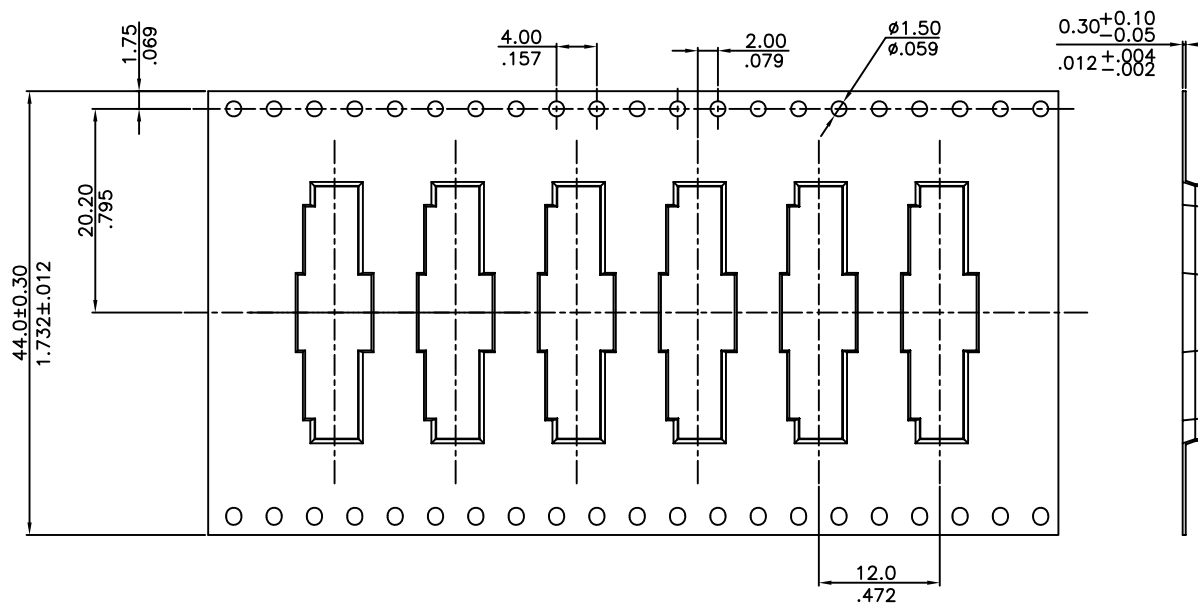
PJECTION

照片框

ORDER INFORMATION

LVC-VXCR-40-LF
SERIES | REEL | CAP | NON POST | 180°SMT | LEADFREE | 40 WAY

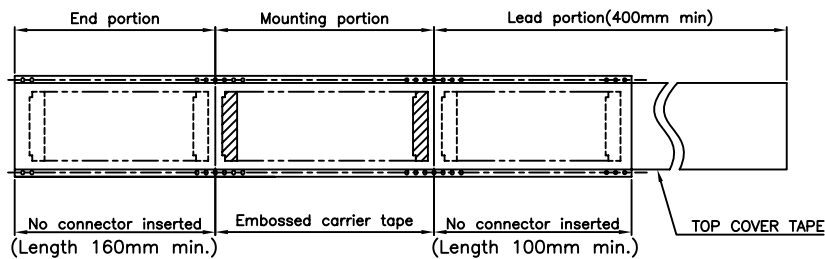
DESCRIPTION:



Notes:

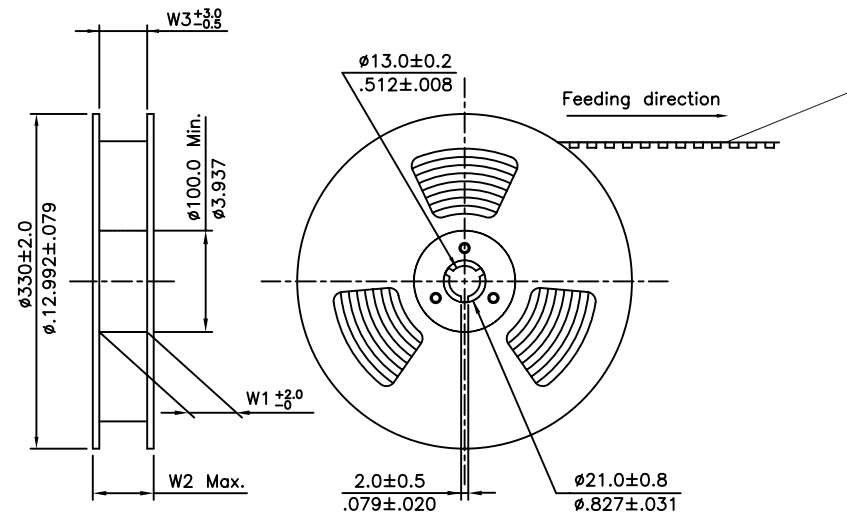
1. 10 sprocket hole pitch cumulative tolerance ± 0.2
2. Camber not to exceed 1mm in 100mm.
3. Material: Polystyrene.
4. Pocket position relative to sprocket hole measured as true position of pocket, not pocket hole.
5. All dimensions meet EIA-481-B requirements.
6. Quantity: 2000 PCS/REEL

▲ WIDTH : 44 mm Carrier
(SCALE 1:4)



TAPE RUNNING DIRECTION

Circuits	Dimension			Packing (Reel/Caton)
	W1	W2	W3	
40	44.5(1.752)	50.5(1.988)	44.5(1.752)	5



RoHS Compliant

TOLERANCES ARE

MORETHANALL
PCB CONNECTORS
Cable ASSEMBLIES

DRAWING BY CY

X, ±

CHECKED BY GENIUS

.X ± 0.25

UNIT / mm

SCALE 1 : 1

.XX ± 0.15

DATE

.XXX ±

ANG ±

照片框

SIZE A4

PJECTION

ORDER INFORMATION

LVC-VXCR-40-LF
SERIES | LEADFREE
40 WAY
REEL
CAP
NON POST
180°SMT

煜倫股份有限公司

www.morethanall.com

DESCRIPTION: