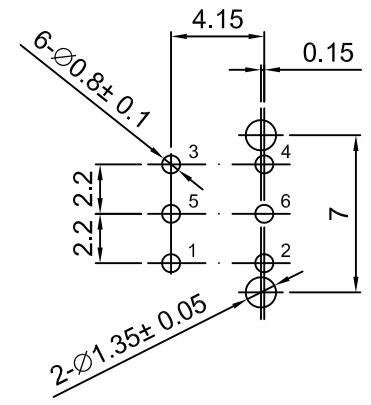
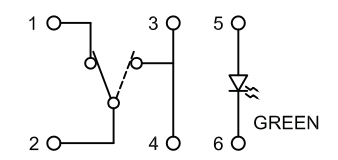


P.C.B. LAYOUT



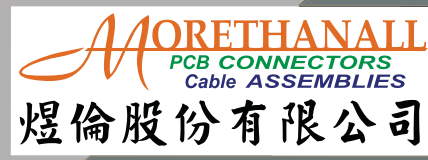
SCHEMATIC



1. POLE POSITION : 1P2T .
2. RATING : POWER MIN / MAX : 0.02VA / 1.0VA ;
CURRENT (0.1 mA ~ 100 mA) ;
VOLTAGE (20 mVcd ~ 32 Vdc) .
3. CONTACT RESISTANCE : 250 mΩ MAX .
4. INSULATION RESISTANCE : 500V DC , 100M Ω MIN .
5. OPERATING FORCE : 400 gf ±125 gf .
6. TOTAL TRAVEL : 2.0 mm .
7. OPERATING TEMPERATURE RANGE : -40 °C~+85°C .
8. OPERATING LIFE : 50,000 CYCLES .
9. CRITICAL DIMENSIONS : 'A' ~ 'J'

RoHS Compliant

TOLERANCES ARE



DRAWING BY CY

CHECKED BY GENIUS

UNIT / mm

SCALE 1 : 1

DATE

SIZE A4

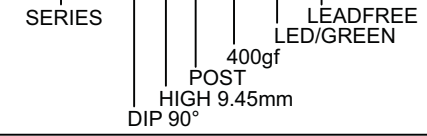
X, ±
.X ± 0.30
.XX ± 0.20
.XXX ±
ANG ± 3°

P PROJECTION



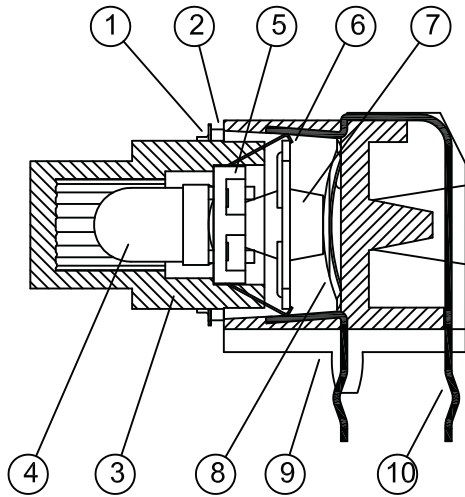
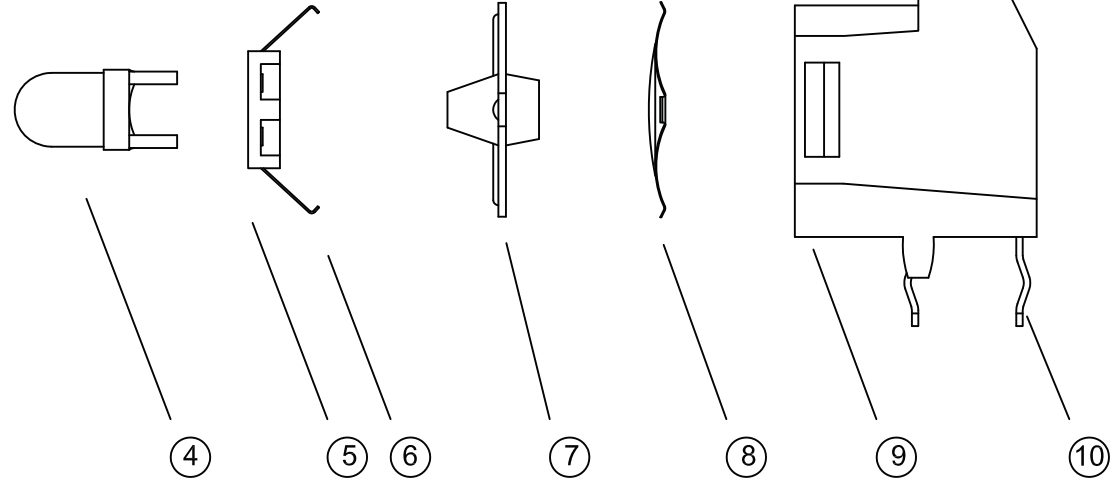
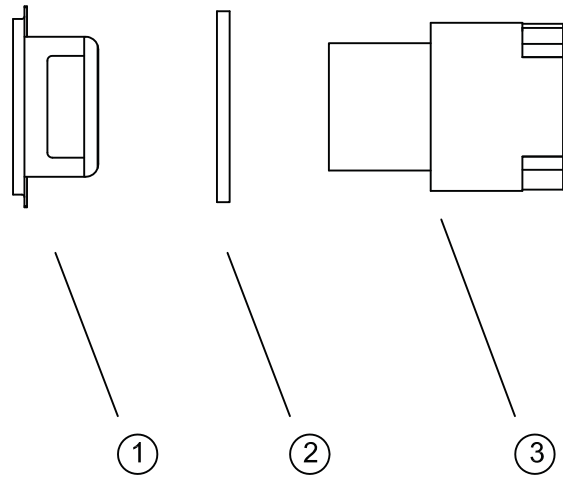
ORDER INFORMATION

LTSW77-R094P-400GR-LF



DESCRIPTION: TACT SWITCH WITH LED

www.morethanall.com



NO.	PART NAME	QTY	MATERIAL	SPECIAL DEAL	RoHS REPORT No.
1	FRAME	1	STAINLESS STEEL		CE/2015/A4565
2	SPACER	1	SILICONE	GRAY	CE/2016/33416B
3	ACTUATOR	1	PC	TRANSPARENT	REFERENCE APPENDIX(SABIC REPORT)
4	LED	1		ULTRA GREEN	SZHH01063921S1
5	MOVING CONTACT BASE	1	PA66+33%GF	BLACK	CE/2016/35480
6	MOVING CONTACT	1	STAINLESS STEEL	nickel-plated 0.5μm / gold-flash	CE/2015/A4565;CE/2016/12353A;CANML1517385601
7	AXIS	1	SILICONE	BLACK	TWNC00501504
8	METAL DOME	1	STAINLESS STEEL	nickel-plated 0.5μm gold-flash 3 Micro Inch MIN	CE/2015/A4565;CE/2016/12353A;CANML1517385601
9	BASE FRAME	1	PA66+33%GF	BLACK	CE/2016/35480
10	TERMINAL	1	BRASS	nickel-plated 0.5μm / gold-flash	CE/2015/C6129;CE/2016/12353A;CANML1517385601

RoHS Compliant

TOLERANCES ARE

MORETHANALL
PCB CONNECTORS
Cable ASSEMBLIES

煜倫股份有限公司

www.morethanall.com

DRAWING BY CY

CHECKED BY GENIUS

UNIT / mm

SCALE 1 : 1

DATE

SIZE A4

PJECTION

X, ±
.X ± 0.30
.XX ± 0.20
.XXX ±
ANG ± 3°



ORDER INFORMATION

LTSW77-R094P-400GR-LF

SERIES

LEADFREE
LED/GREEN
400gf
POST
HIGH 9.45mm
DIP 90°

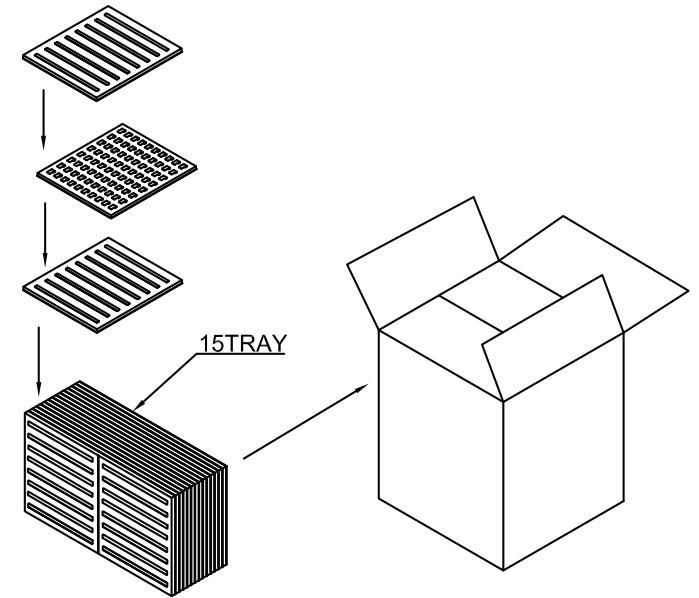
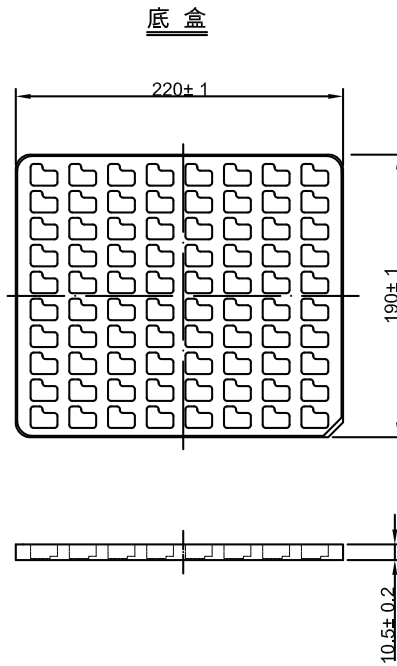
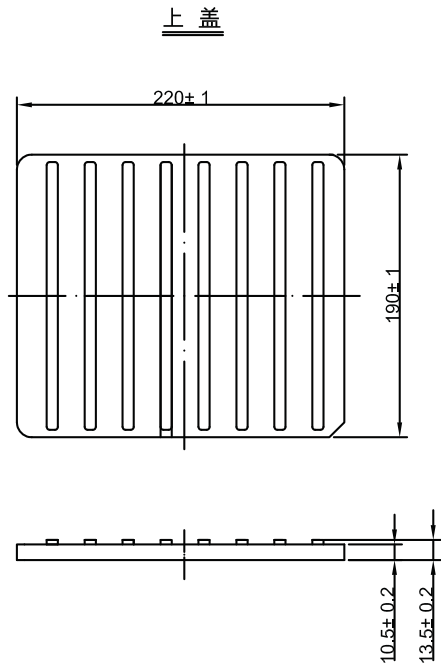
DESCRIPTION: TACT SWITCH WITH LED

PLASTIC PART	
CHECK LIST	confirm
頂針位置	×
模號(位置/方式)	×
入料口(位置/方式)	×
分模線/逃氣口	×
外觀(顏色/毛邊)	✓
外觀表面處理	✓
滑動位置表面處理	×
配合位置公差確認	✓
埋模射出(防呆設計)	×
平均肉厚(縮水考量)	✓
安規(材料等級/安全距離)	✓
耐熱溫度(錫爐/IR爐)	✓
與原稿核對	×

PACKING AND SHIPPING:

LTSW77	80PCS/TRAY
	30TRAY/CTN
	2400PCS/CTN

Carton Dimension:363x233x290



RoHS Compliant

TOLERANCES ARE

MORETHANALL
PCB CONNECTORS
Cable ASSEMBLIES

DRAWING BY CY

CHECKED BY GENIUS

UNIT / mm

SCALE 1 : 1

DATE

SIZE A4

X, ±
.X ± 0.30
.XX ± 0.20
.XXX ±
ANG ± 3°

PPOJECTION



ORDER INFORMATION

LTSW77-R094P-400GR-LF

SERIES

LEADFREE
LED/GREEN
400gf
POST
HIGH 9.45mm
DIP 90°

煜倫股份有限公司

www.morethanall.com

DESCRIPTION: TACT SWITCH WITH LED