

**Material and Plating:**

Housing: LCP, UL94V-0 , Black.  
 Power Contacts: High Conductivity Copper.  
 30u" Au+Pd/Ni on contact Area and 80u" Min Tin  
 Plated on Press Fit over Nickel 50u" Min.

**Electrical Characteristics:**

Current Rating: Power Pin 30 AMP  
 Insulator Resistance: 5000MΩ min. at DC 500V.  
 Dielectric Withstanding Voltage:  
     Power Pin DC 1500V For 1 minute.  
 Contact Resistance: Power Pin 20mΩ max. at DC 20mA.  
 Operating Temperature: -40°C ~+105°C .

**\*RoHS Compliant**

Notes:

Mate with: Edge Card Thickness 1.57mm.

RoHS Compliant

TOLERANCES ARE



煜倫股份有限公司

www.morethanall.com

DRAWING BY CY

CHECKED BY GENIUS

UNIT / mm

SCALE 1 : 1

DATE

SIZE A4

X. ± 0.50

.X ± 0.25

.XX ± 0.15

.XXX ±

ANG ±

PPOJECTION

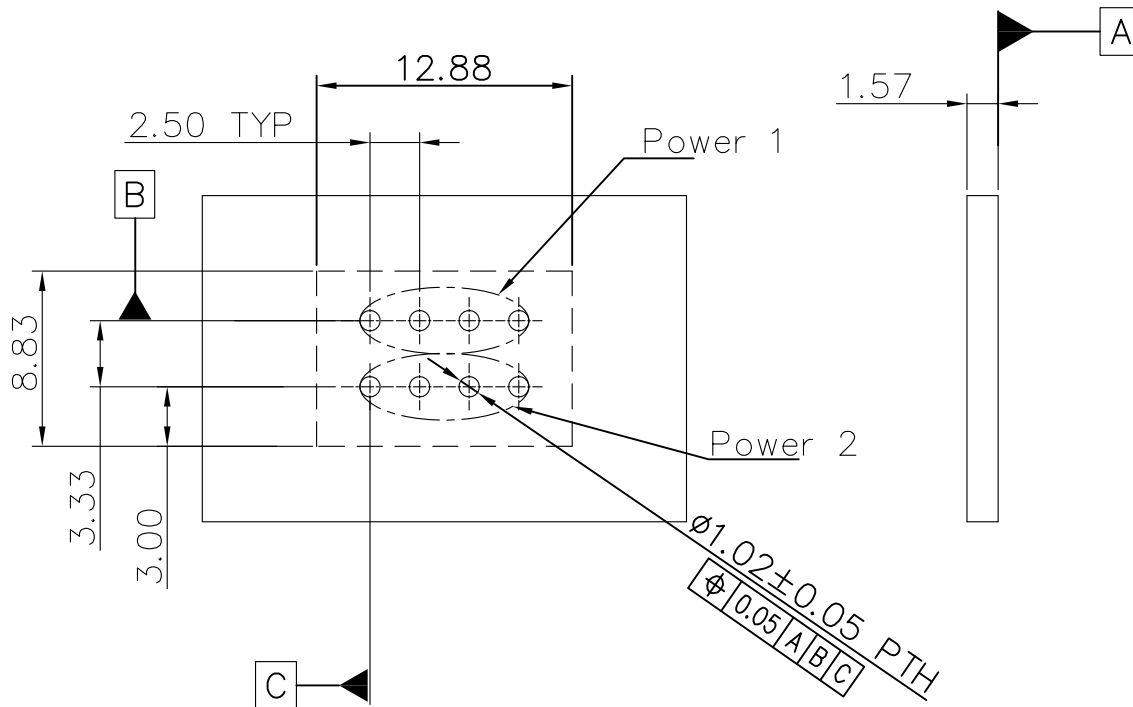
照片框

ORDER INFORMATION

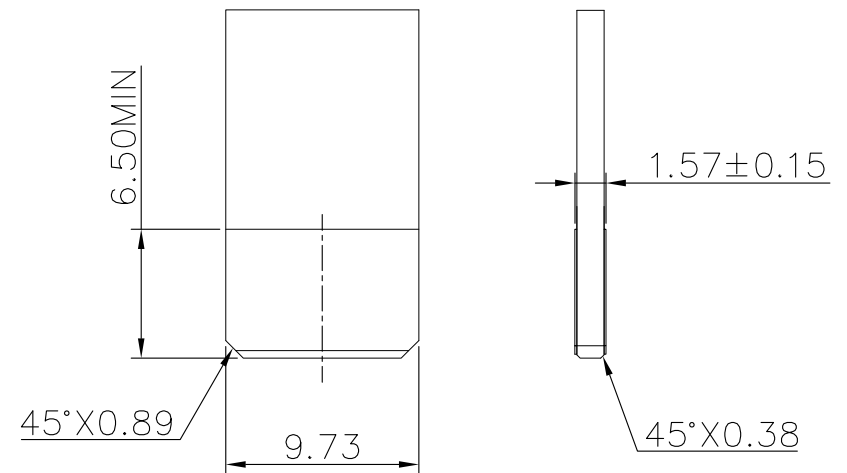
LPHA20-SPA-02-LF

SERIES LEADFREE  
 02 WAY  
 A TYPE  
 PRESS FIT  
 FEMALE

DESCRIPTION:



P.C.Board Layout  
(Tolerance:  $\pm 0.05$ )



Recommended Edge Card Layout  
(Tolerance:  $\pm 0.05$ )

**RoHS Compliant**

TOLERANCES ARE

**MORETHANALL**  
PCB CONNECTORS  
Cable ASSEMBLIES

DRAWING BY CY

X.  $\pm 0.50$

CHECKED BY GENIUS

.X  $\pm 0.25$

UNIT / mm

SCALE 1:1

.XX  $\pm 0.15$

DATE

.XXX  $\pm$

ANG  $\pm$

照片框

**ORDER INFORMATION**

**LPHA20-SPA-02-LF**

SERIES

|||

|||

|||

|||

|||

|||

|||

|||

|||

|||

|||

|||

|||

|||

|||

LEADFREE

02 WAY

A TYPE

PRESS FIT

FEMALE

煜倫股份有限公司

www.morethanall.com

SIZE A4

P PROJECTION

DESCRIPTION: