

**Specifications**

Material & Finish

Housing Material: Nylon UL94V-2

Plating:

Contacts: Copper alloy/Under plating : Nickel (50u")Min.

Over plating : Tin alloy (100u")Min.

Mating Force : 6.7 N Max.

Unmating Force : 1 N min.

Normal Force : 3.4 N g.

Electrical Performance:

CURRENT-max. 7.0A

VOLTAGE-max. :250V

WITHSTANDING VOLTAGE :1500V

INSULATION RESISTANCE : 500K Megohms min.

TEMPERATURE RANGE : -40° to +105°C

CIRCUITS	DIM. A	DIM. B
2	5.08±0.10	10.16±0.15
3	10.16±0.10	15.24±0.15
4	15.24±0.10	20.32±0.15
5	20.32±0.10	25.40±0.15
6	25.40±0.10	30.48±0.20
7	30.48±0.20	35.56±0.20
8	35.56±0.20	40.64±0.20
9	40.64±0.20	45.72±0.20
10	45.72±0.20	50.80±0.25
11	50.80±0.20	55.88±0.25
12	55.88±0.25	60.96±0.25
13	60.96±0.25	66.04±0.30
14	66.04±0.25	71.12±0.30
15	71.12±0.25	76.20±0.30
16	76.20±0.25	81.28±0.30
17	81.28±0.30	86.36±0.30
18	86.36±0.30	91.44±0.30
19	91.44±0.30	96.52±0.30
20	96.52±0.30	101.60±0.30

**RoHS Compliant**

TOLERANCES ARE

**MORETHANALL**  
PCB CONNECTORS  
Cable ASSEMBLIES

煜倫股份有限公司

www.morethanall.com

DRAWING BY CY

CHECKED BY GENIUS

UNIT / mm

SCALE 1 : 1

DATE

SIZE A4

X, ±  
.X ± 0.30  
.XX ± 0.20  
.XXX ± 0.10  
ANG ±

P PROJECTION

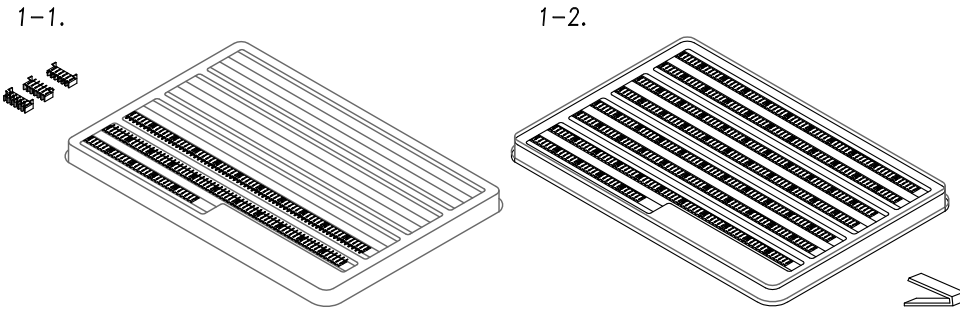
照片框

**ORDER INFORMATION**

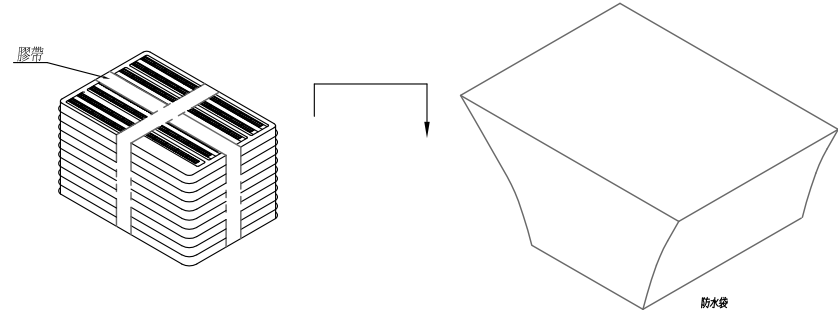
LKX-TX-xx-LF  
SERIES | LEADFREE  
| 02~20WAY  
NON LOCK  
TOP ENTRY

DESCRIPTION:

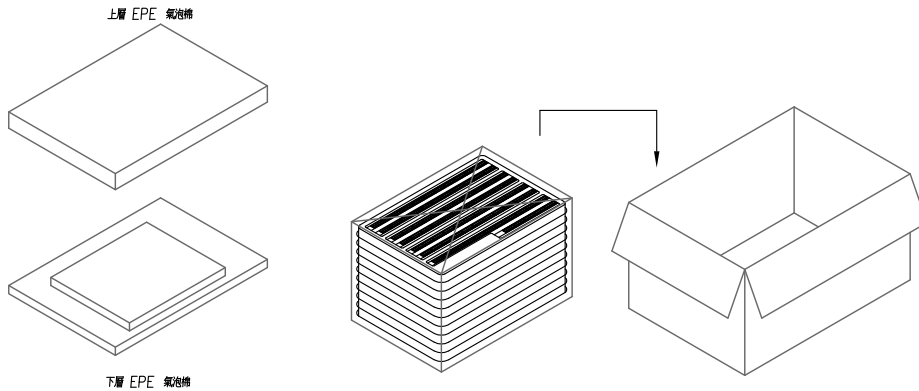
- 1-1. 如圖所示將SD CARD A TYPE CONN. 放入TRAY內, 如圖示之方向  
 1-2. 蓋上上蓋後, 於TRAY四週用釘針(或膠帶)固定, 防止散落  
 1-1. PLACE THE SD CARD A TYPE CONN. INTO THE TRAY AS DRAWING SHOWED.  
 1-2. THEN FIXED WITH STAPLE(OR TAPE) TUP PREVENT FROM BEING LOSSEN.



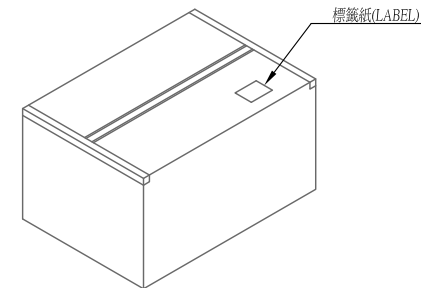
- 2-1. 堆疊後之TRAY以膠帶雙十黏貼, 膠帶重疊區須超過20cm  
 2-2. 黏貼後, 將TRAYS置於防水袋內  
 2-3. 放入2包乾燥劑, 置於PE防水袋內角落  
 2-4. 將PE防水袋緊密封口  
 2-1. AFTER STACKING 20 TRAYS, STICK TRAYS WITH TAPE CRISSCORSRLY. THE OVERLAPPING AREA OF TAPE MUST BE OVER 20cm.  
 2-2. PLACE THE TRAYS INTO PE BAG.  
 2-3. PUT 2 BAGS OF SILICA GEL INTO THE PE BAG.  
 2-4. SEAL UP THE PE BAG .



- 3-1. 先將下層EPE氣泡棉置入紙箱底部  
 3-2. 將包裝後之TARY盒, 裝入內箱  
 3-3. 再將上層EPE氣泡棉蓋在TARY盒上 (適量高度以填滿內箱為原則, 不可鬆散)  
 3-4. 紙箱開口處以透明膠帶黏合  
 3-1. PUT 1 PIECE OF EPE INTO BOTTOM OF BOX.  
 3-2. PLACE THE TRAYS INTO THE BOX.  
 3-3. PUT 1 PIECE OF EPE INTO TOP OF BOX.  
 3-4. CLOSE BOX WITH TAPE.



- 4-1. 紙箱開口處以透明膠帶黏合  
 4-2. 紙箱上所貼之標籤視客戶要求而定  
 4-1. CLOSE CARTON WITH TAPE.  
 4-2. STICK LABEL, LOCATION AS DRAWING SHOWED.



RoHS Compliant

TOLERANCES ARE

**MORETHANALL**  
 PCB CONNECTORS  
 Cable ASSEMBLIES

煜倫股份有限公司

www.morethanall.com

DRAWING BY CY

CHECKED BY GENIUS

UNIT / mm

SCALE 1 : 1

DATE

SIZE A4

X, ±  
 .X ±  
 .XX ±  
 .XXX ±  
 ANG ±

PPOJECTION

照片框

ORDER INFORMATION

LKX-TX-xx-LF  
 SERIES | LEADFREE  
 | 02~20WAY  
 | NON LOCK  
 | TOP ENTRY

DESCRIPTION: VERTICAL TYPE FOR 5.08mm PITCH FEMALE CONN.