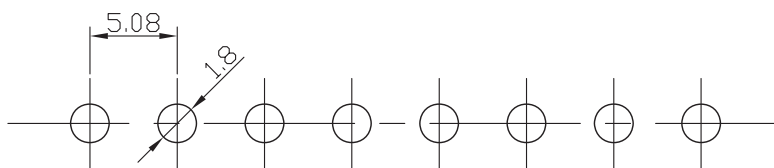
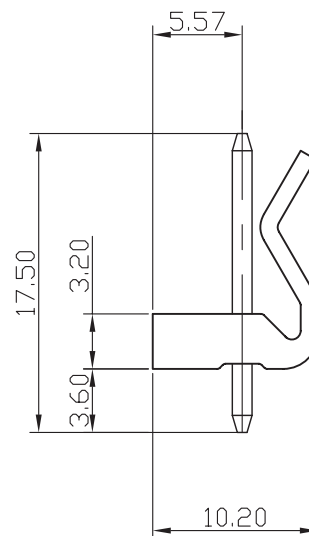
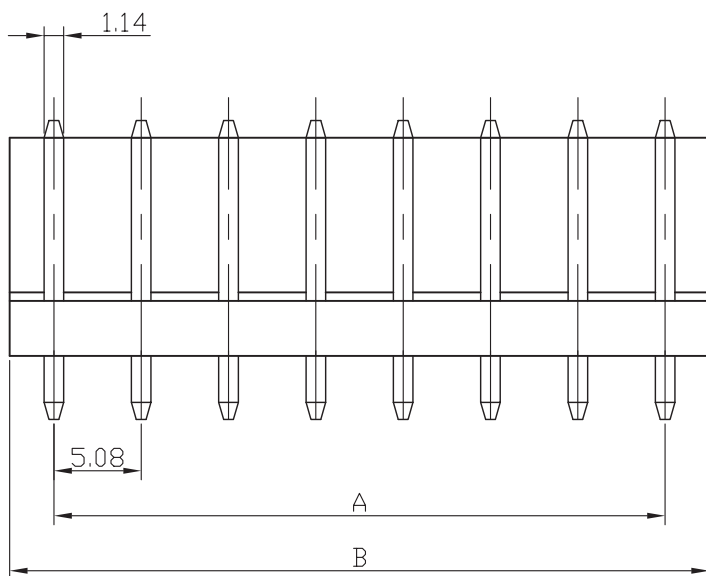


1.14mm Square Pin



RECOMMENDED P.C. BOARD HOLE DIM.

Specifications

Electrical

Voltage Rating: 250V(AC)

Current Rating: 7A

Contact Resistance: 20m Ω max.

Dielectric Withstanding Voltage: 1000V AC/1min.

Insulation Resistance: 1000M Ω min.

Material

Circuits: 2~20

Insulator: Nylon 66 UL 94V-2

Color: Natural

Contact: Brass 1.14mm(0.045 ") Square Wire Pins

Plating: Tin or Gold Plated

Temperature Range: -25 °C~+85 °C

Poles	Dimension		Part NO.
	A	B	
2	5.08	10.22	LK-D-02
3	10.16	15.30	LK-D-03
4	15.24	20.38	LK-D-04
5	20.32	25.46	LK-D-05
6	25.40	30.54	LK-D-06
7	30.48	35.62	LK-D-07
8	35.56	40.70	LK-D-08
9	40.64	45.78	LK-D-09
10	45.72	50.86	LK-D-10

RoHS Compliant

TOLERANCES ARE

MORETHANALL
PCB CONNECTORS
Cable ASSEMBLIES

DRAWING BY CY

CHECKED BY GENIUS

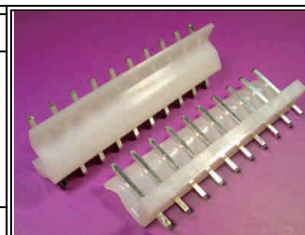
UNIT/mm SCALE 1:1

DATE

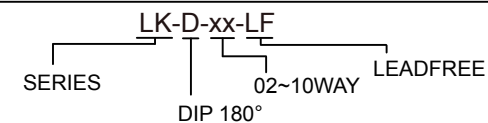
SIZE A4

PJECTION

X. ±
.X ± 0.50
.XX ± 0.10
.XXX ±
ANG ±



ORDER INFORMATION



DESCRIPTION: 5.08mm Wire-to-Board Header DIP 180° Type

煜倫股份有限公司

www.morethanall.com