

- NOTES:
 1. MATERIAL: SEE LIST
 2. FINISH: SEE LIST

RoHS Compliant

TOLERANCES ARE

MORETHANALL
 PCB CONNECTORS
 Cable ASSEMBLIES

煜倫股份有限公司

www.morethanall.com

DRAWING BY CY

CHECKED BY GENIUS

UNIT / mm

SCALE 1 : 1

DATE

SIZE A4

X, ±
 .X ± 0.35
 .XX ± 0.25
 .XXX ± 0.15
 ANG ±

PPOJECTION

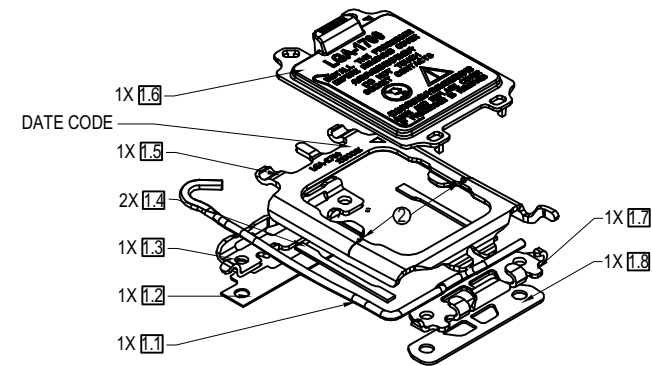
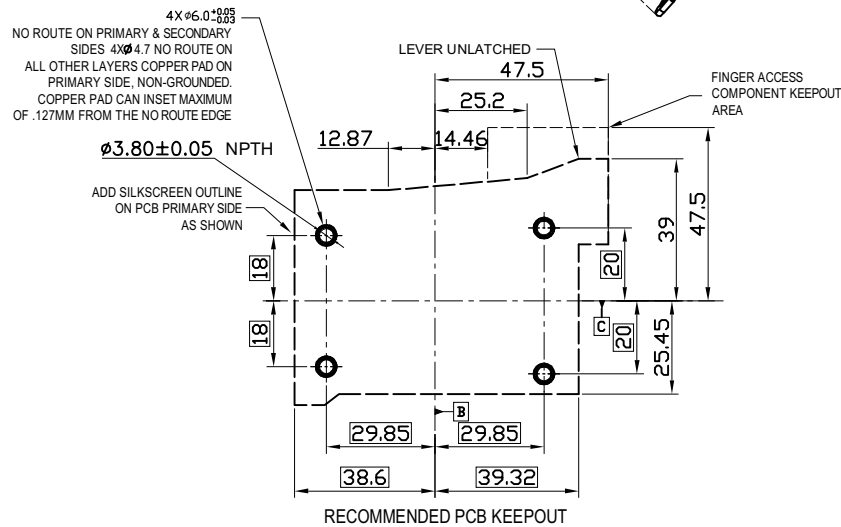
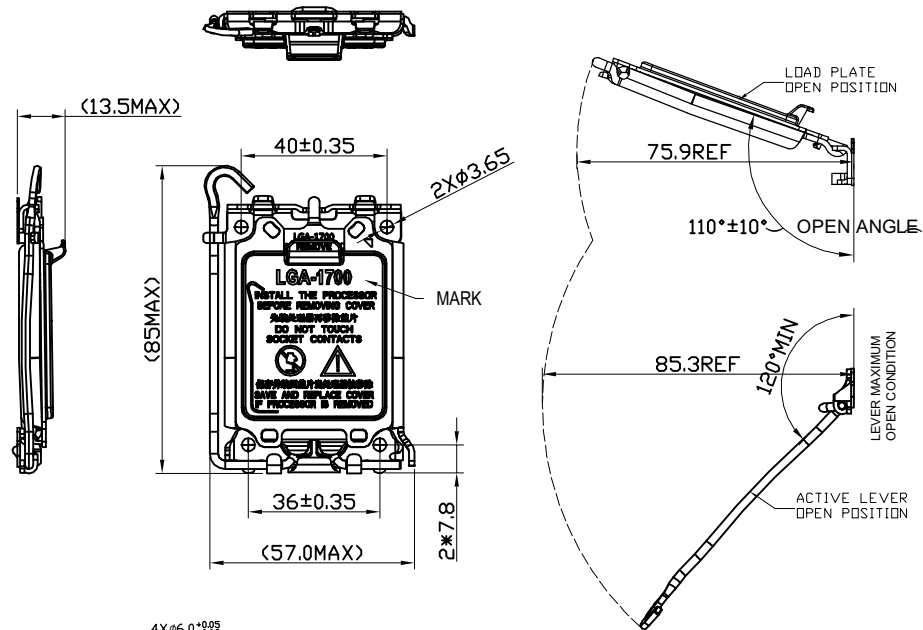
照片框

ORDER INFORMATION

LGA08-CV-1700-LF

SERIES | LEADFREE
 1700 WAY
 COVER

DESCRIPTION: SOCKET V ILM+BP+COVER ASSY



NOTES:

- MATERIAL

1	LOAD LEVER	STAINLESS STEEL
2	HINGE FRAME INSULATOR	THERMOPLASTIC,UL94 VTM-0, BLACK
3	HINGE FRAME	CARBON STEEL,NICKEL PLATED
4	LOAD PLATE INSULATOR	THERMOPLASTIC,UL94 VTM-0, BLACK
5	LOAD PLATE	STAINLESS STEEL
6	DUST COVER	PC+ABS, GREY, UL94 V-0
7	LEVER FRAME	CARBON STEEL,NICKEL PLATED
8	LEVER FRAME INSULATOR	THERMOPLASTIC,UL94 VTM-0, BLACK

- THERE ARE BENDING PROCESS MARKS HERE.
- HSF COMPLIANT (RoHS 2.0, PFOS, HF)
- DATE CODE: X X X X X X



RoHS Compliant

TOLERANCES ARE

MORETHANALL
PCB CONNECTORS
Cable ASSEMBLIES

煜倫股份有限公司

www.morethanall.com

DRAWING BY CY

CHECKED BY GENIUS

UNIT / mm

SCALE 1 : 1

DATE

SIZE A4

PJECTION

X, ±
.X ± 0.35
.XX ± 0.25
.XXX ± 0.15
ANG ±

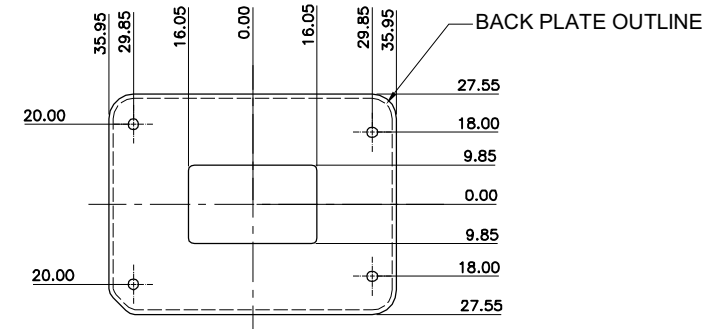
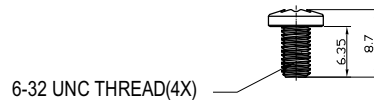
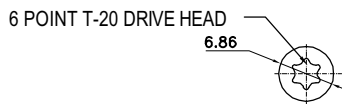
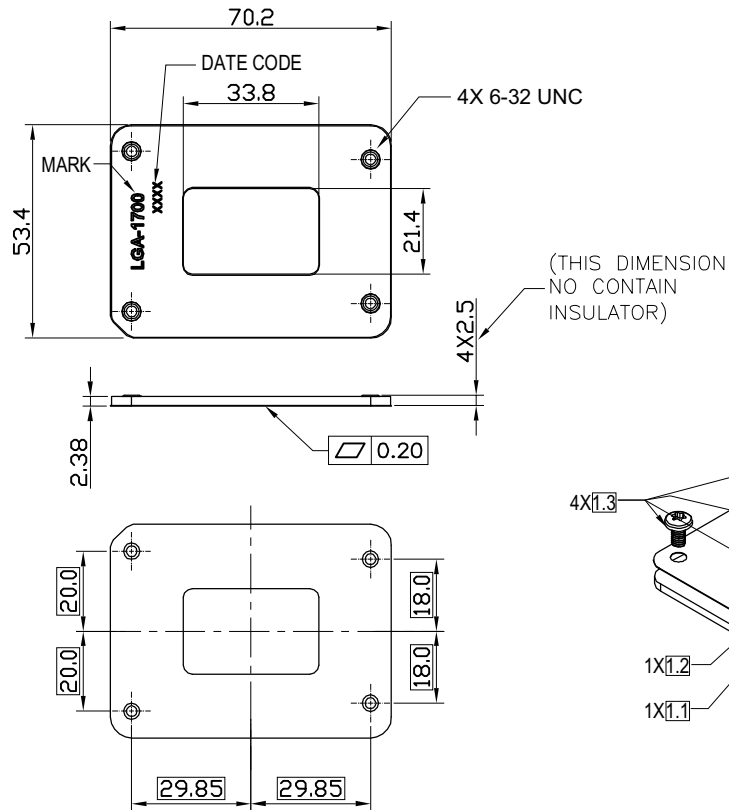
照片框

ORDER INFORMATION

LGA08-CV-1700-LF

SERIES | LEADFREE
1700 WAY
COVER

DESCRIPTION: SOCKET V ILM+BP+COVER ASSY



RECOMMENDED PCB BOTTOM SIDE KEEP OUT ZONE

- NOTES:
- MATERIAL:
 - 1.1. BACK PLATE CARBON STEEL, NICKEL PLATED
 - 1.2. BACK PLATE INSULATOR THERMOPLASTIC, UL94 VTM-0, BLACK
 - 1.3. SCREW LOW CARBON STEEL, NICKEL PLATING
 - HSF COMPLIANT (RoHS2.0, PFOS, HF).
 - DATE CODE: XX XX.
 - WEEK
 - YEAR

RoHS Compliant

TOLERANCES ARE

MORETHANALL
PCB CONNECTORS
Cable ASSEMBLIES

DRAWING BY CY

CHECKED BY GENIUS

UNIT / mm SCALE 1 : 1

DATE

SIZE A4

X. ±
.X ± 0.35
.XX ± 0.25
.XXX ± 0.15
ANG ±

PJECTION

照片框

ORDER INFORMATION

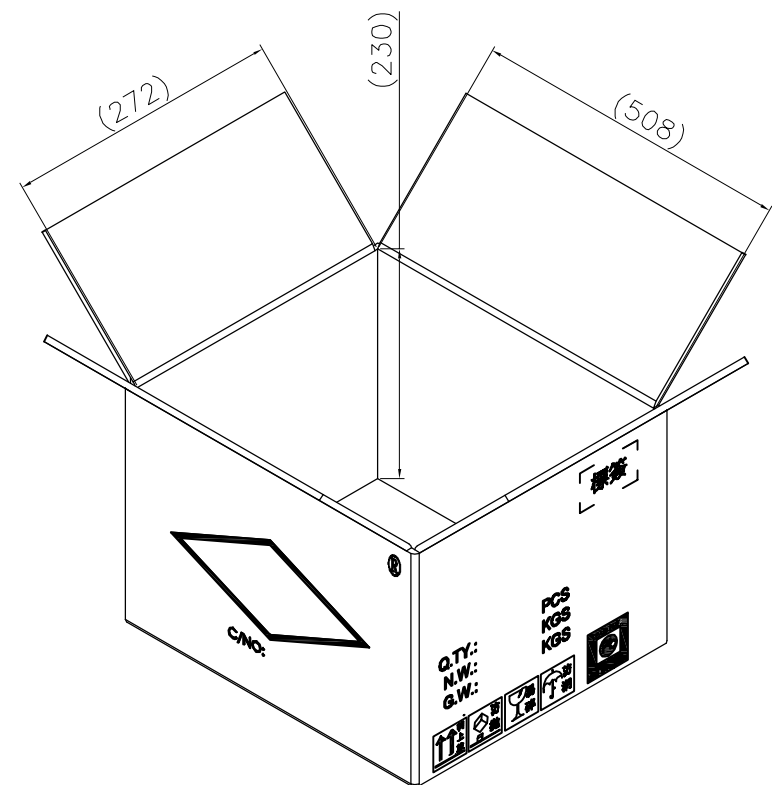
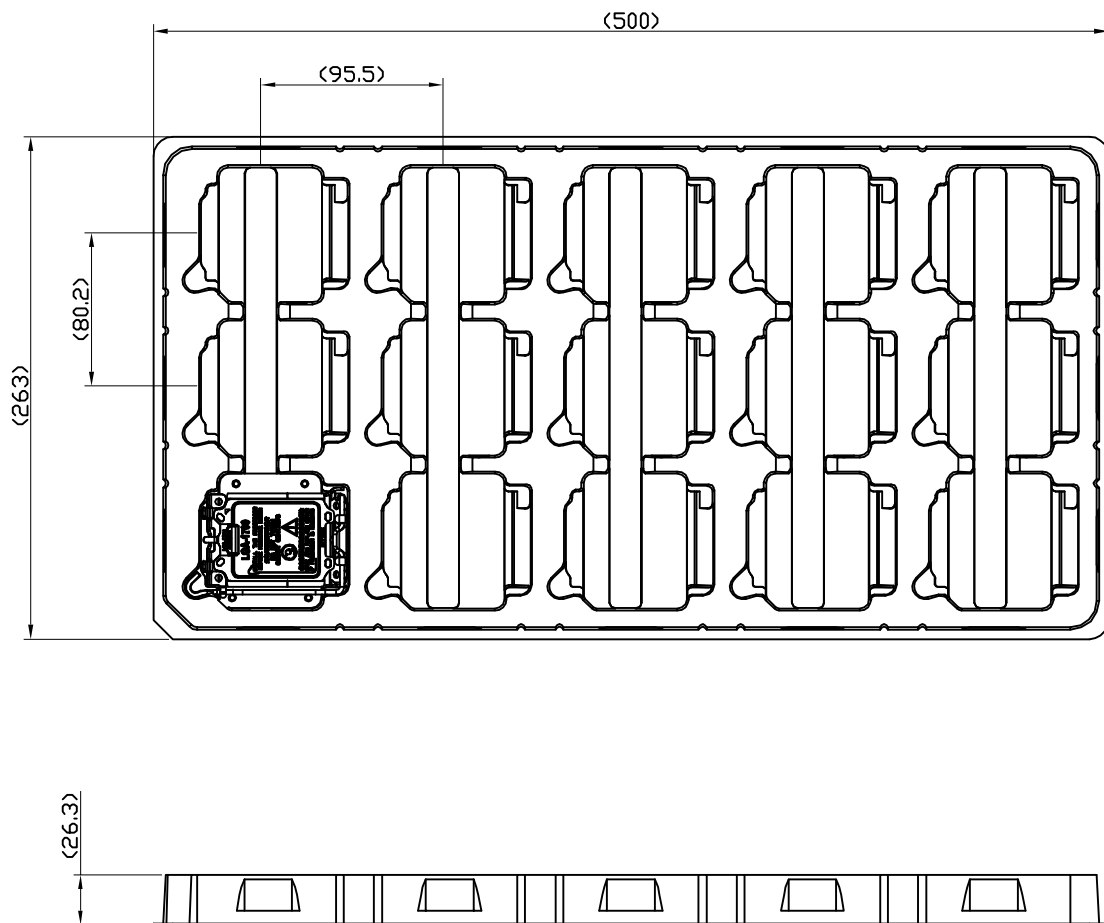
LGA08-CV-1700-LF

SERIES | LEADFREE
1700 WAY
COVER

煜倫股份有限公司

www.morethanall.com

DESCRIPTION: SOCKET V ILM+BP+COVER ASSY



NOTES:

1.THE QUANTITY TO BE PACKED PRODUCT :15PCS PER TRAY,150PCS PER BOX

RoHS Compliant

TOLERANCES ARE

MORETHANALL
PCB CONNECTORS
Cable ASSEMBLIES

煜倫股份有限公司

www.morethanall.com

DRAWING BY CY

CHECKED BY GENIUS

UNIT / mm

SCALE 1 : 1

DATE

SIZE A4

X, ±
.X ± 0.35
.XX ± 0.25
.XXX ± 0.15
ANG ±

PPOJECTION

照片框

ORDER INFORMATION

LGA08-CV-1700-LF

SERIES | LEADFREE
1700 WAY
COVER

DESCRIPTION: SOCKET V ILM+BP+COVER ASSY