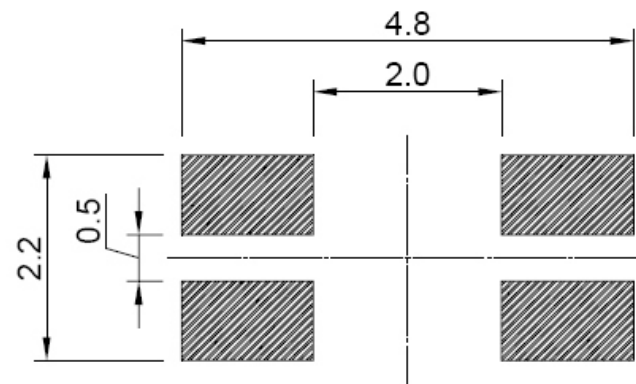
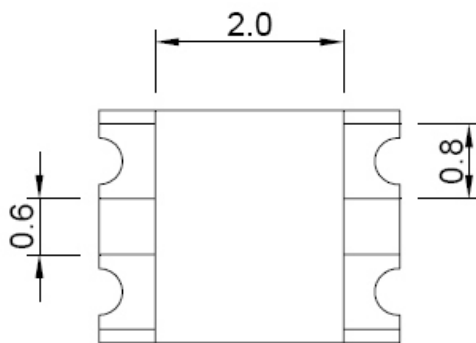
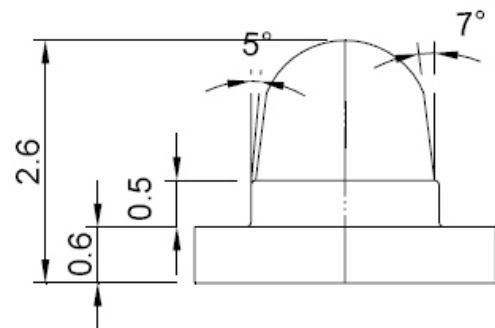


Notes:

1. All Dimensions are millimeters.
2. Tolerance is $\pm 0.2\text{mm}$ unless otherwise specified.
3. Specifications are subject to change without notice.



Recommended Soldering Pad

LED-VRG-26-LF
LEADFREE

RoHS Compliant



PART NO. **LED-VRG-26**

DWG NO. **LED-VRG-26**

FILE NO.

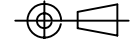
UNIT / mm

SCALE 1:1

CHECKED BY CY

DRAWING BY

PROJECTION



TOLERANCES ARE

.X ± 0.2

.XX \pm

.XXX \pm

AWG

DESCRIPTION:

AREA

REVISIONS

HK

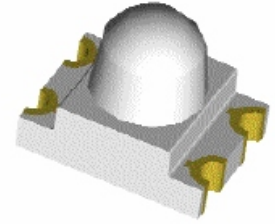
DATE

煜倫股份有限公司

T- Type Package Bi-Color SMT LED with 1.8 mm Lens

Description

The major breakthrough in LED-VRG-26 is yellow green (570nm~575nm) color emit & Red emit (620-630nm) bi-color with 1.8mm lens SMT LED. The dice used in this series is AlGaInP rather than the conventional GaP and GaAsP/GaP. The advantages of AlGaInP are low power consumption and obtaining high luminous intensity under low current driving condition.



Electronic Optical Characteristics (@ 20mA):

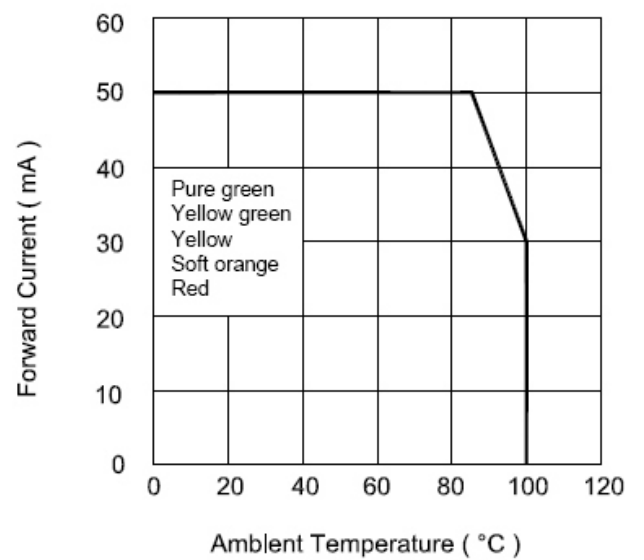
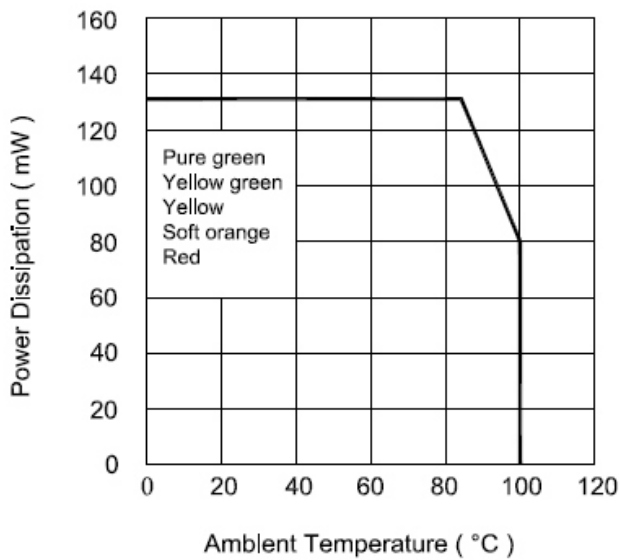
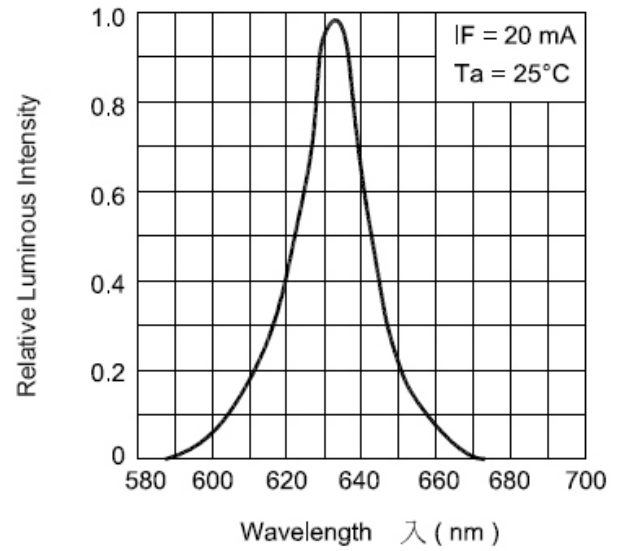
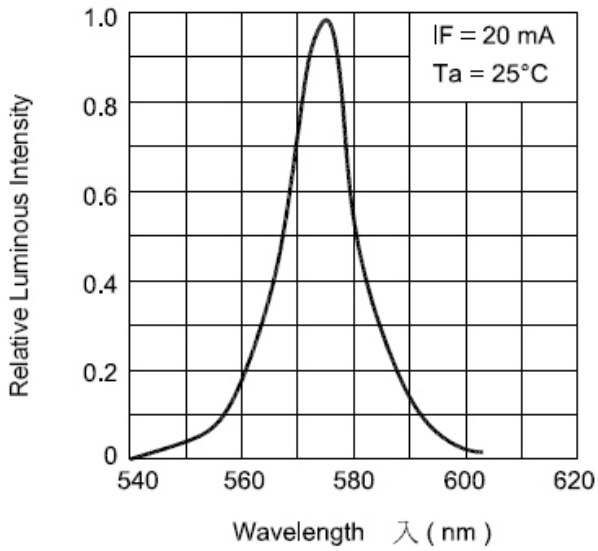
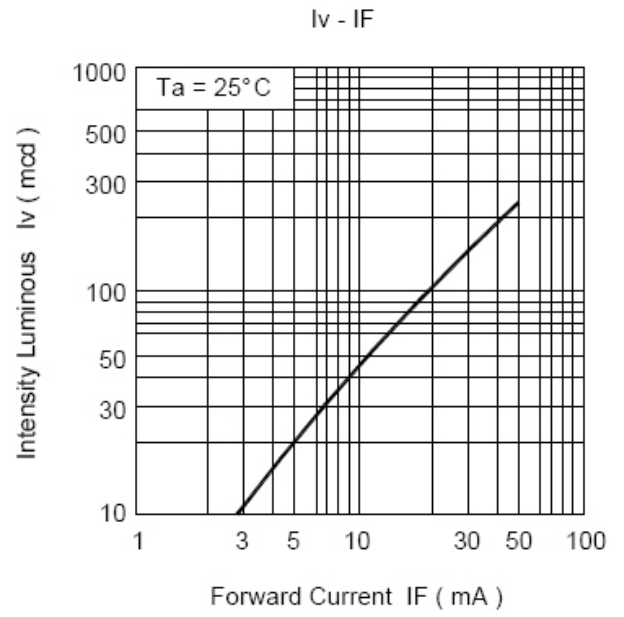
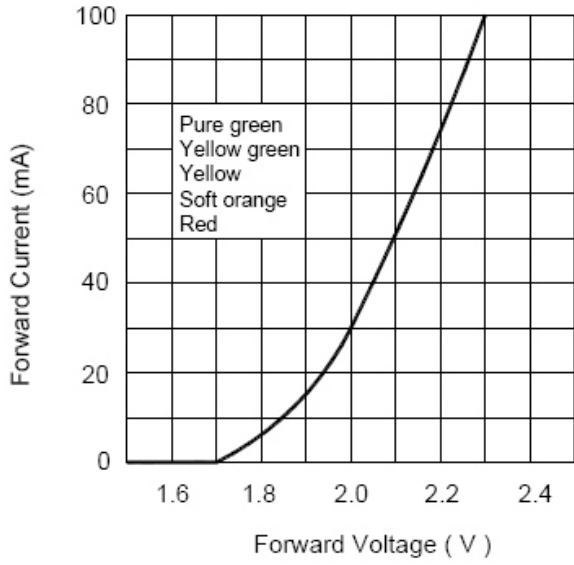
Part No	Color	λ_d	λ_p	Iv (mcd) @ 20 mA		Vf (Volt) @ 20mA		Viewing Angle	Lens
				Min	Typ.	Min.	Typ.		
LED-VRG-26	Green ■	573	575	120	180	2.0	2.4	45	Water
	Red ■	624	632	160	400	2.0	2.4	45	Clear

Absolute Maximum Ratings (@ Ta=25°C)

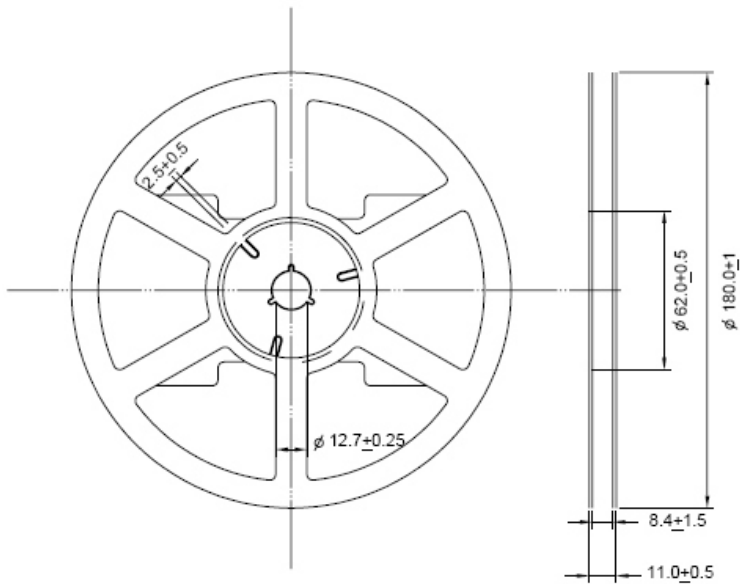
Emitted Color	P _D (mW)	I _f (mA)	ESD	I _R (uA) @VR=5V	Topr (°C)	Tstg (°C)
Green 573nm)	60	25	2000	10	-40~+85	-40~+90
Red (624nm)	60	25	2000	10	-40~+85	-40~+90

Note: Please take note the Absolute Maximum Rating values. Any operation beyond the specified ratings in this table will result degradation of LED life- span and may cause LED to fail.

Optical Characteristics Curves



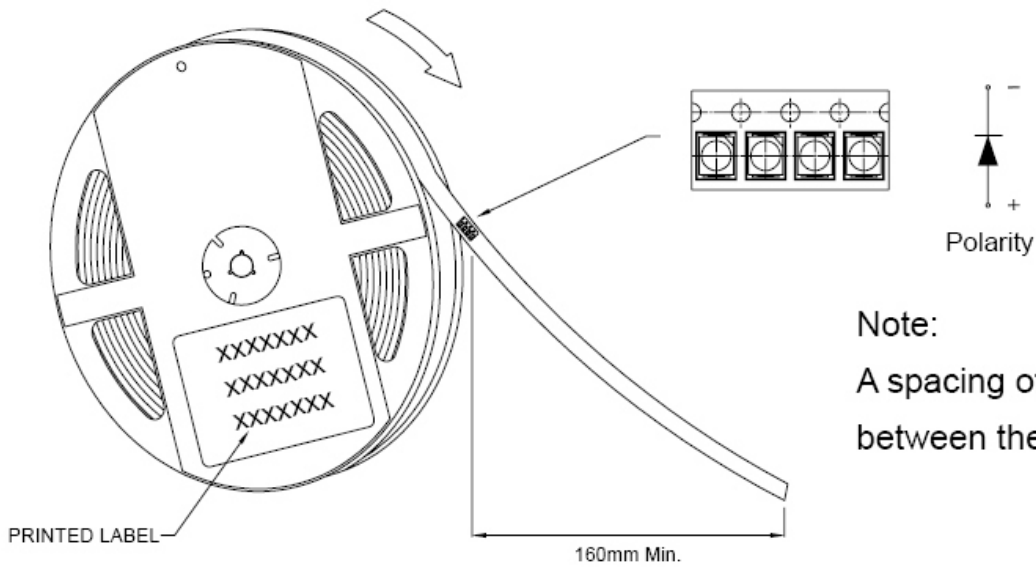
Reel Dimension:



Note:

Available in 8 mm carrier tape on 178 mm diameter reels. (1000 pieces)

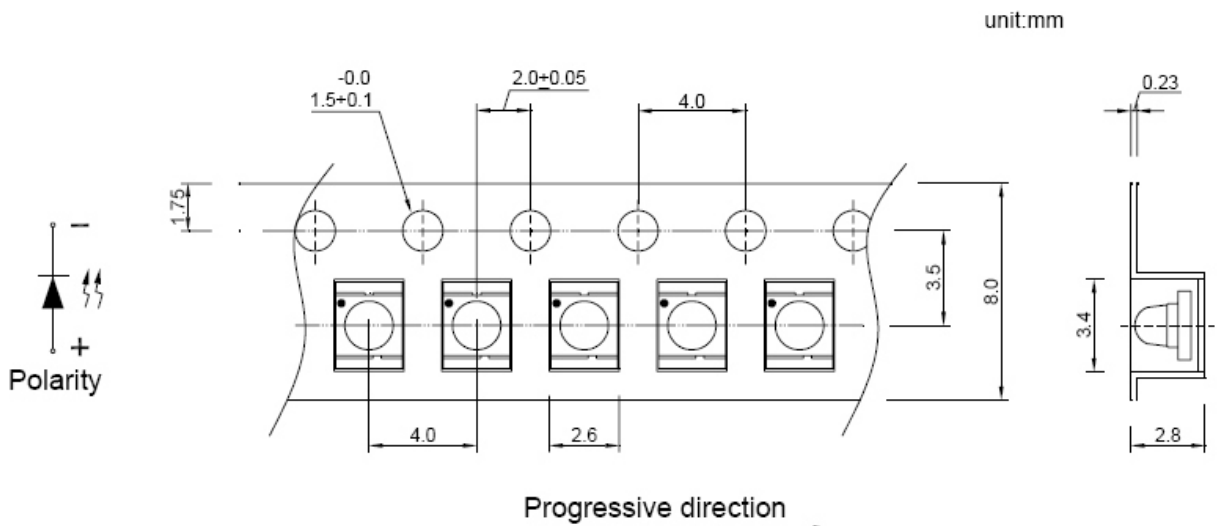
USER FEED DIRECTION



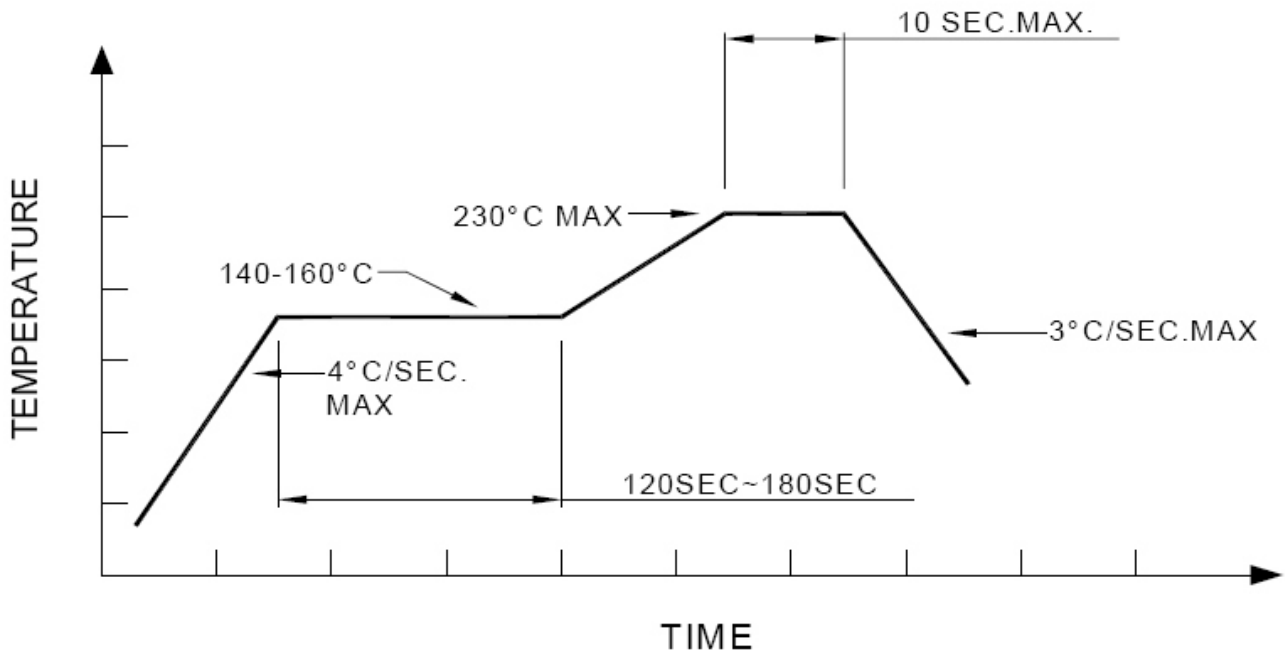
Note:

A spacing of approximately 160mm between the front edge of tape

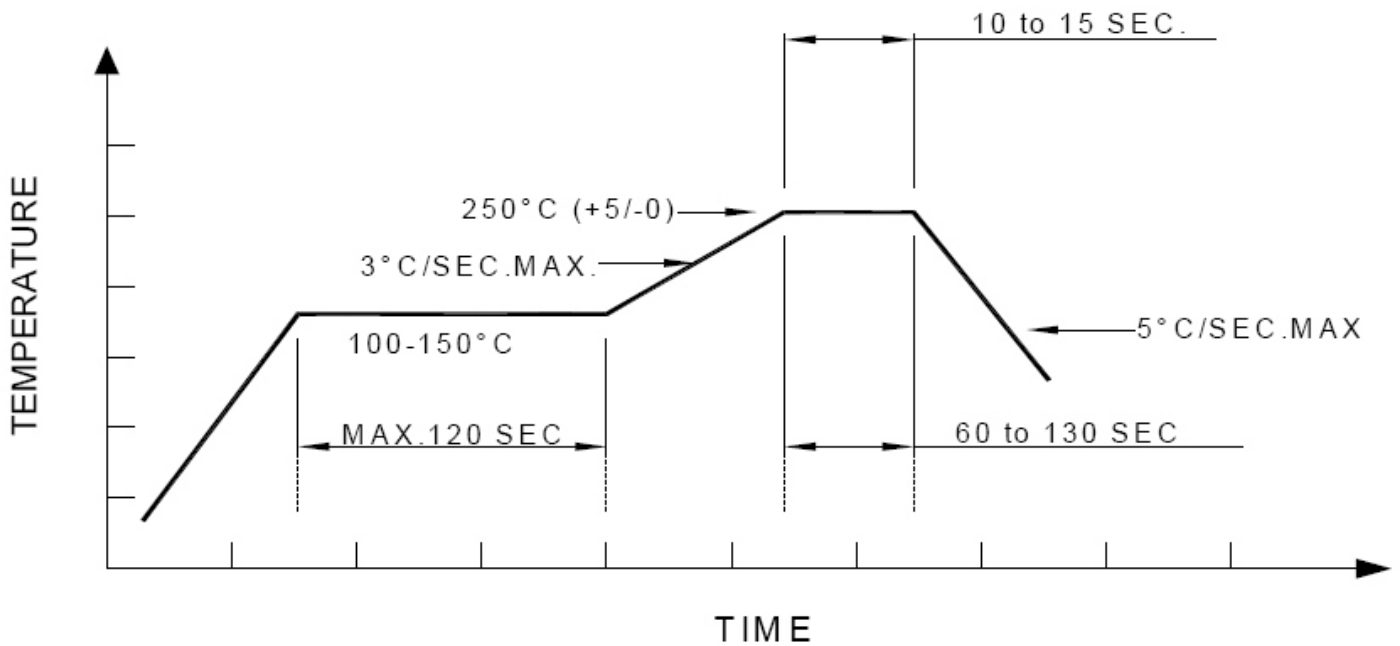
Tape Dimension:



Recommended re-flow soldering profile:



Recommended Pb-free re-flow soldering profile:



Note:

All the specifications listed in this data sheet are suitable for general electronic equipment, office equipment and communication devices. Kindly consult Sales Representatives for specific reliabilities request , Forward Voltage, Luminous Intensity, Wavelength, Radiant Power or Viewing Angle.