

1 2 3 4 5 6 7 8 9 0

J

I

H

G

F

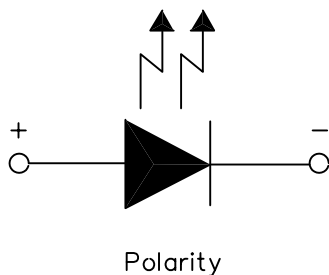
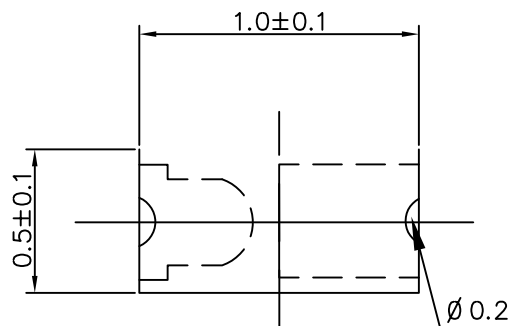
E

D

C

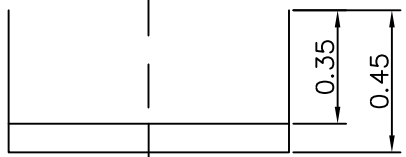
B

A

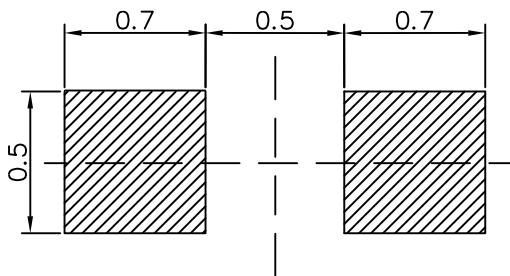
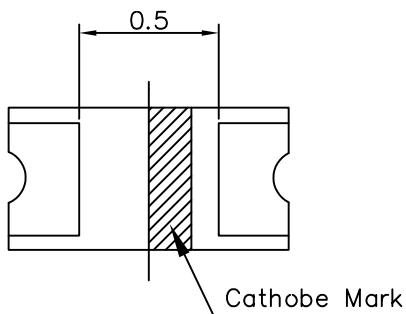


Electronic Optical Characteristics:

Parameter	Symbol	Min.	Typ.	Max.	Unit	Condition
Luminous Intensity	I <sub>v</sub>	---	2	---	mcd	I <sub>f</sub> =2mA
		15	36	---	mcd	I <sub>f</sub> =2mA
Viewing Angle	2θ <sub>1/2</sub>	---	120	---	deg	I <sub>f</sub> =2mA
Peak Wavelength	λ <sub>p</sub>	---	632	---	nm	I <sub>f</sub> =2mA
Dominant Wavelength	λ <sub>d</sub>	---	624	---	nm	I <sub>f</sub> =2mA
Spectrum Radiation Bandwidth	Δλ	---	20	---	nm	I <sub>f</sub> =2mA
Forward Voltage	V <sub>f</sub>	---	2.0	2.4	V	I <sub>f</sub> =2mA
Reverse Current	I <sub>r</sub>	---	---	10	μA	V <sub>r</sub> =5V



For Reflow Soldering



Notes:

Tolerances Unless Dimension ± 0.1mm  
 Angle ± 0.5°  
 Unit=mm

PART NO.	Chip		Lens Color
	Material	Emitted Color	
LED-VRD-045	A1GaInP	Hyper Red	Water Clear

LED-VRD-045-LF

LEADFREE

RoHSCompliant



PART NO. LED-VRD-045

DWG NO. LED-VRD-045

FILE NO.

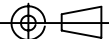
UNIT / mm

SCALE 1:1

CHECKED BY CY

DRAWING BY

PROJECTION



TOLERANCES ARE

.X ± 0.2  
 .XX ±  
 .XXX ±  
 AWG

DESCRIPTION:

AREA

REVISIONS

HK

DATE

煜倫股份有限公司