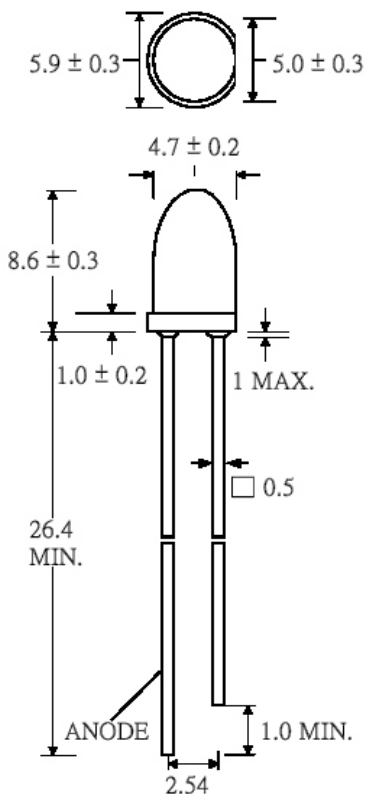


DESCRIPTION

- Super bright LED Lamp
- Round type
- T1-3/4 (5mm) diameter
- Lens color: Water Clear
- With Flange
- Solder leads without stand-off

FEATURES

- Emitted color: Super Red
- High Luminous intensity
- Technology: AlGaInP
- Peak wavelength $\lambda_p = 630\text{nm}$
- Viewing angle: 8°



Notes:

1. All dimensions are in millimeter.
2. Lead spacing is measured where the lead emerge from the package.

SELECTION GUIDE

Chip Material	Chip Emitted	Lens Color	Viewing Angle
AlGaInP	Super Red	Water Clear	8°

MORETHANALL
CONNECTORS
ASSEMBLIES

PART NO. **LED-D-02**

DWG NO. **LED-D-02**

FILE NO.

UNIT / mm

SCALE 1:1

CHECKED BY CY

DRAWING BY

PROJECTION



TOLERANCES ARE

.X ±
.XX ±
.XXX ±
AWG

DESCRIPTION:

AREA

REVISIONS

HK

DATE

焯倫有限公司