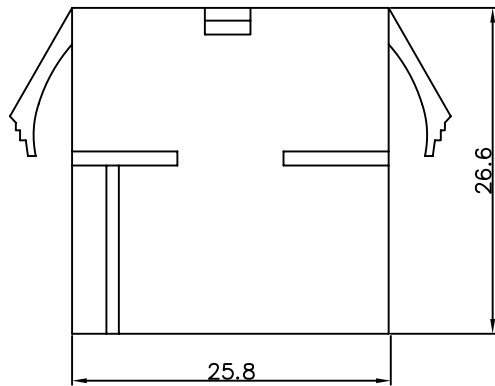
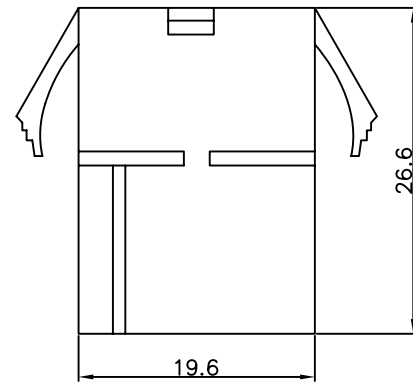


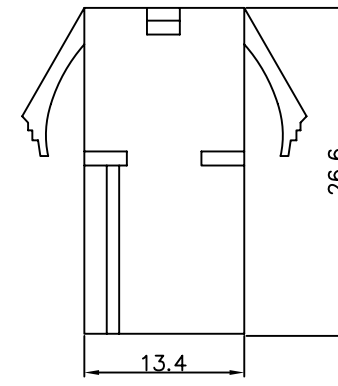
SPECIFICATIONS
 Circuit:1,2,3,4,6,9,12,15
 Voltage rating:300V AC,DC
 Current rating:12A AC,DC
 Withstanding voltage:1500V AC/minute
 Insulation resistance:1000M Ω HM min
 Temperature range:-25 C~+90 C
 Material:UL94V-2 nylon 66



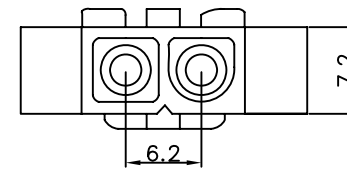
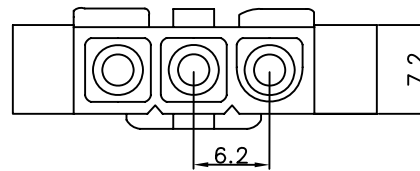
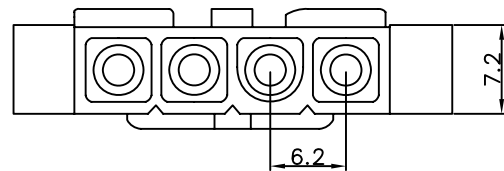
L-PE-1X04



L-PE-1X03



L-PE-1X02



RoHS Compliant

TOLERANCES ARE

MORETHANALL
 PCB CONNECTORS
 Cable ASSEMBLIES

煜倫股份有限公司

www.morethanall.com

DRAWING BY CY

CHECKED BY GENIUS

UNIT / mm

SCALE 1 : 1

DATE

SIZE A4

X, \pm

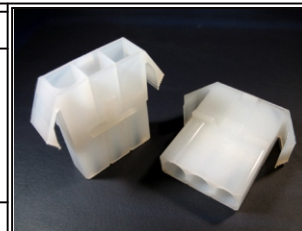
.X, \pm

.XX, \pm

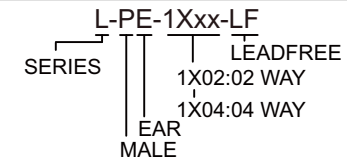
.XXX, \pm

ANG, \pm

P PROJECTION



ORDER INFORMATION



DESCRIPTION: