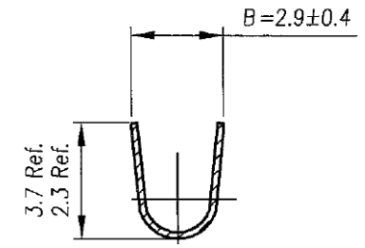
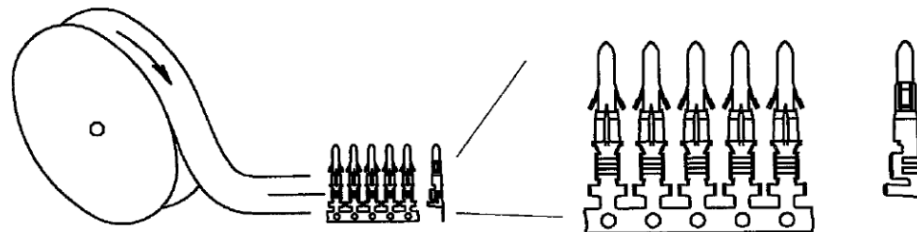
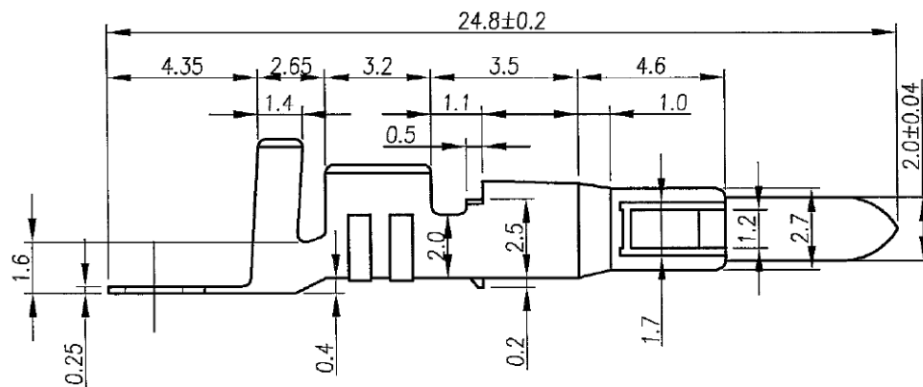


SECTION A-A



SECTION B-B



SPECIFICATIONS:

- CURRENT RATING: 15A AC,DC MAX
- VOLTAGE RATING: 300V AC,DC(SINGLE CIRCUIT: 600V)
- TEMPERATURE RANGE: -25°C TO +90°C
(INCLUDING TEMPERATURE RISE)
- CONTACT RESISTANCE: INITIAL VALUE/10mΩ MAX.
AFTER ENVIRONMENTAL TESTING/15mΩ MAX.
- INSULATION RESISTANCE: 1000MΩ MIN.
- WITHSTANDING VOLTAGE: 1500V AC/MINUTE
- APPLICABLE WIRE: AWG #24 TO #14,0.2 TO 2.0mm
- APPLICABLE PANEL THICKNESS: .031" TO .079"
(0.8 TO 2.0mm)

RoHS Compliant

TOLERANCES ARE

MORETHANALL
PCB CONNECTORS
Cable ASSEMBLIES

DRAWING BY CY

CHECKED BY GENIUS

UNIT / mm

SCALE 1 : 1

DATE

SIZE A4

PJECTION

X, ±
.X ± 0.25
.XX ± 0.13
.XXX ± 0.10
ANG ±

照片框

ORDER INFORMATION

L-M-16-LF
SERIES | LEADFREE
16~20 AWG
FEMALE

煜倫股份有限公司

www.morethanall.com

DESCRIPTION: