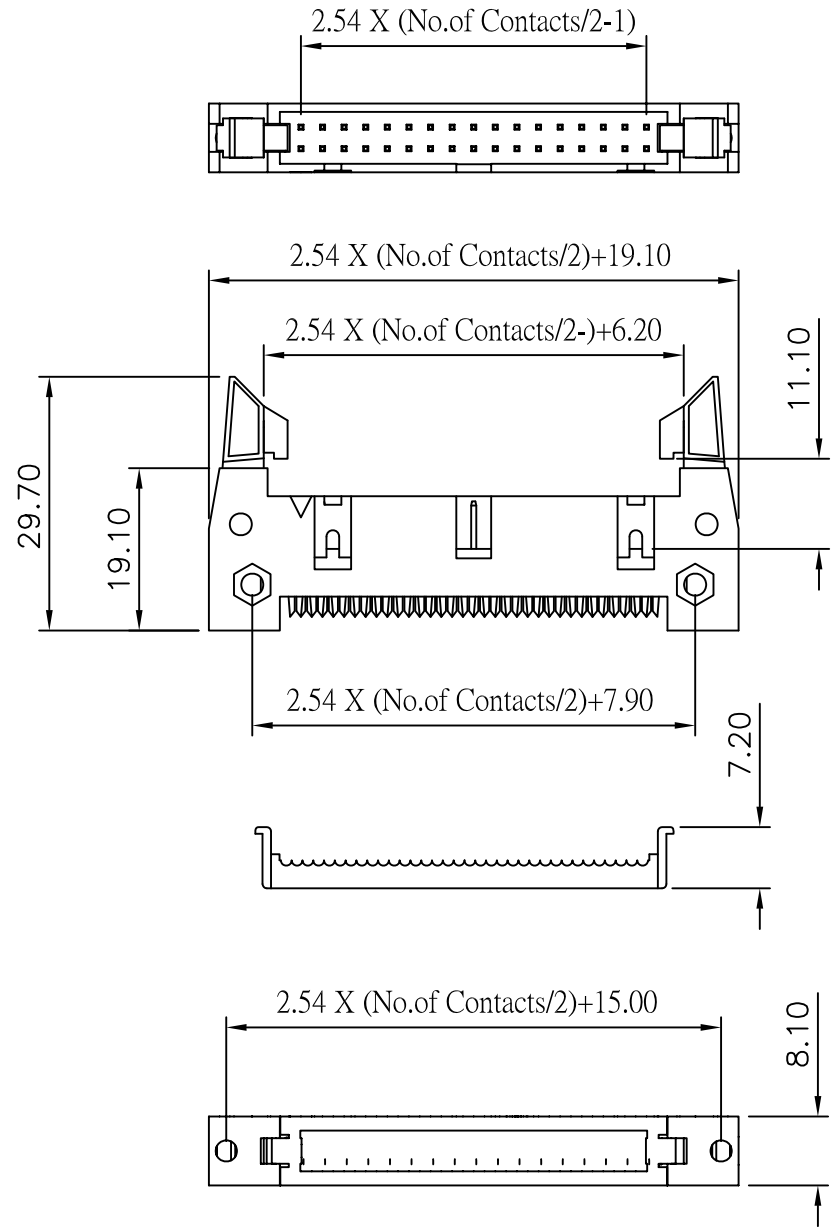
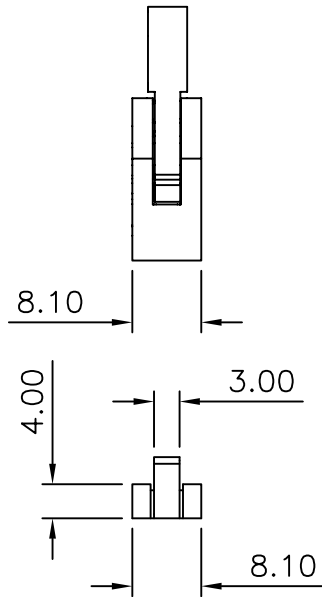
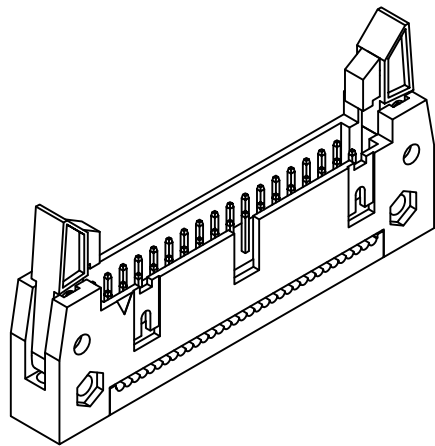


Current Rating: 3 Amps
 Insulator Resistance: 1000 Megohms min
 Dielectric Withstanding: AC 500 V
 Operating Temperature: - 40° ~ +85° C
 Contact Material: Copper Alloy
 Insulator Material: Polyester, UL 94V-0
 Standard: PBT
 Finish: Gold Plated or Duplex Plated



L-C2SL-xx-LF
 LEADFREE
 RoHS Compliant



PART NO. L-C2SL-xx		CHECKED BY CY		TOLERANCES ARE .X ± 0.2 .XX ± .XXX ± AWG		DESCRIPTION:				
DWG NO. L-C2SL-xx		DRAWING BY								
FILE NO.		PROJECTION		AREA	REVISIONS	HK	DATE			
UNIT / mm	SCALE 1:1									

煜倫股份有限公司