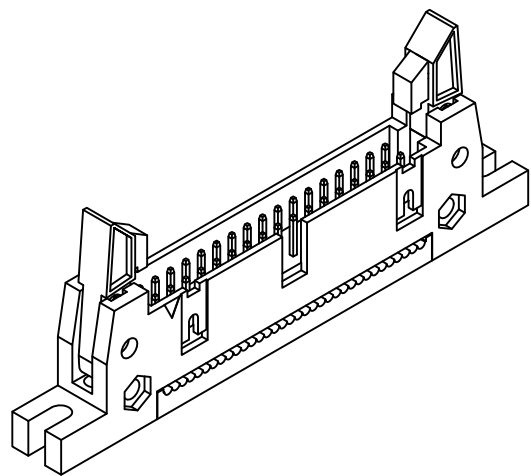
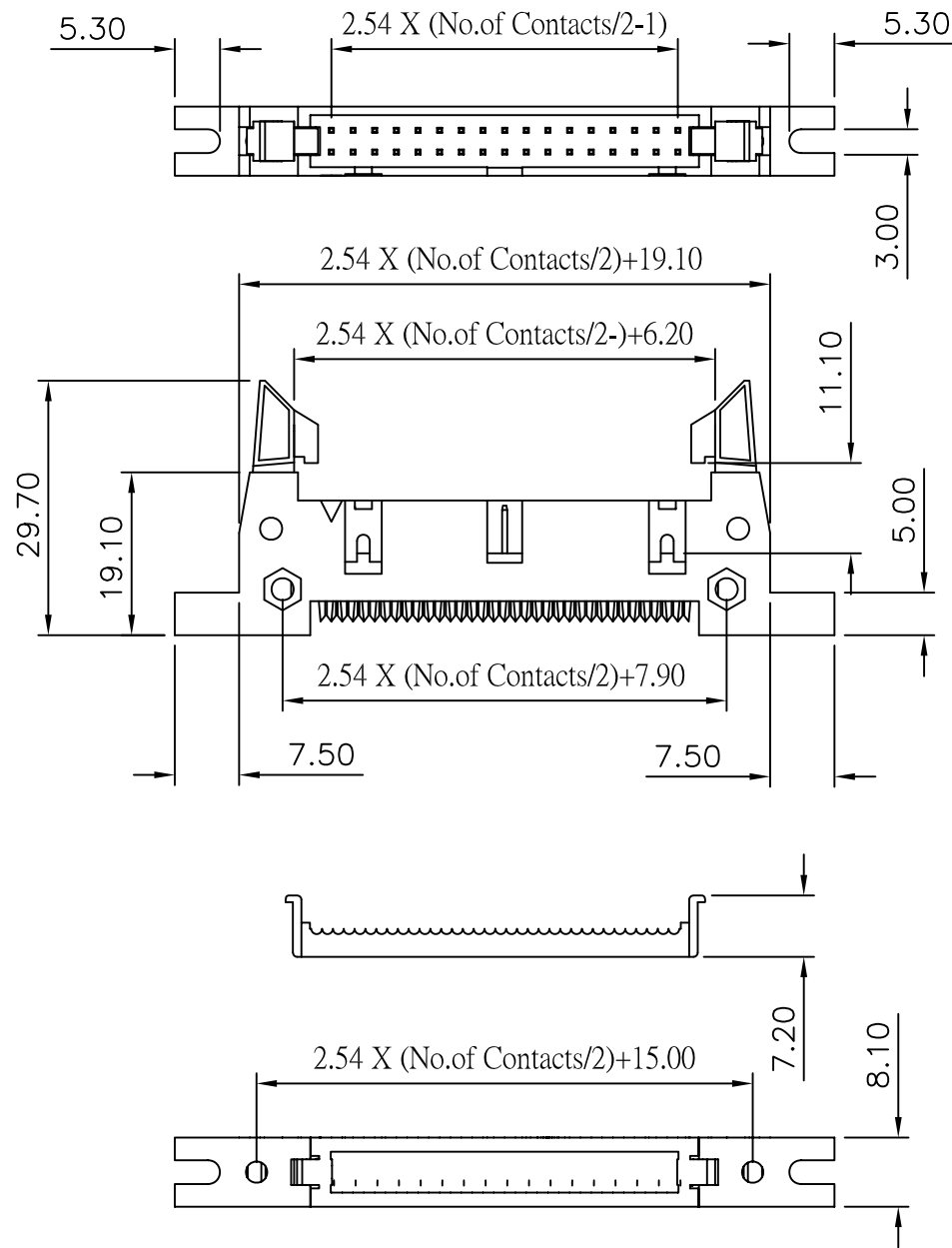
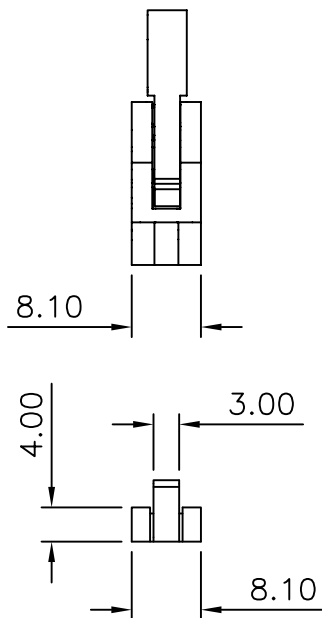


Current Rating: 3 Amps
 Insulator Resistance: 5000 Megohms min
 Dielectric Withstanding: 1000 VAC
 Contact Resistance: 20 m ohms max.
 Operating Temperature: - 40° ~ +105° C
 Contact Material: Copper Alloy
 Insulator Material: Polyester, UL 94V-0
 Standard: PBT
 Finish: Gold Plated or Duplex Plated



L-C2HESL-xx-LF
 LEADFREE
 RoHS Compliant



	PART NO. L-C2HESL-xx		TOLERANCES ARE .X ± 0.2 .XX ± .XXX ± AWG	DESCRIPTION:				
	DWG NO. L-C2HESL-xx							CHECKED BY CY
焯倫股份有限公司	FILE NO.		DRAWING BY		AREA	REVISIONS	HK	DATE
	UNIT / mm	SCALE 1:1	PROJECTION					