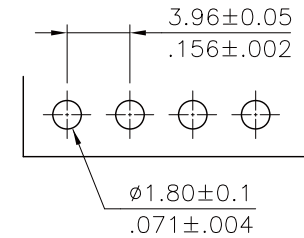
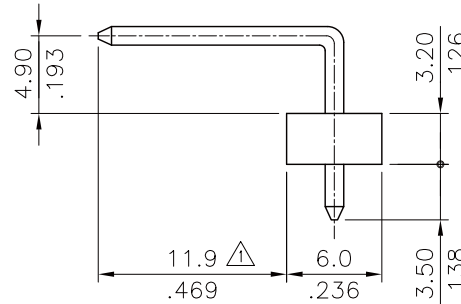
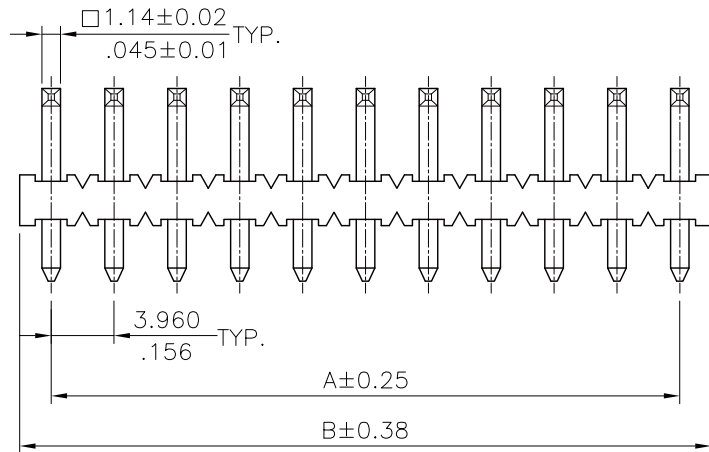


Material:

- \* Insulation: Glass filled polyester UL 94V-0
- \* Contact: Brass



Recommended P.C. Board Layout

$A = 3.96 * \text{No. of Spaces}$

$B = A + 3.96$

\* Available in 2 through 20 circuits

RoHS Compliant

TOLERANCES ARE

**MORETHANALL**  
PCB CONNECTORS  
Cable ASSEMBLIES

煜倫股份有限公司

www.morethanall.com

DRAWING BY CY

CHECKED BY GENIUS

UNIT / mm

SCALE 1:1

DATE

SIZE A4

PPOJECTION

X. ±  
.X ±  
.XX ±  
.XXX ±  
ANG ±

照片框

ORDER INFORMATION

KX-RB-xx-LF  
SERIES | LEADFREE  
02-20WAY  
BREAKAWAY  
DIP 90°

DESCRIPTION: