

NOTES:

1. ALL DIMENSIONS ARE "mm".
2. THE PRODUCT MUST BE COMPLY WITH THE DIRECTIVE OF ROHS.

ELECTRICAL TESTING:

1. 100% OPEN/SHORT TEST
2. CONTACT RESISTANCE: 5Ω Max
3. INSULATION RESISTANCE: 20MΩ Min

NO.	ITEM.	DESCRIPTION	Q'TY
1	WIRE:	UL1015 #22 BLUE	1PCS
2	WIRE:	UL1015 #22 BROWN	1PCS
3	HOUSING:	KK-H-03	1PCS
4	TERMINAL:	KK-T-18	2PCS
5	TERMINAL	Q250-FT8VF-16	2PCS
6			

RoHS Compliant

TOLERANCES ARE

MORETHANALL
PCB CONNECTORS
Cable ASSEMBLIES

DRAWING BY CY

X.±

CHECKED BY GENIUS

.X±

UNIT / mm

SCALE 1 : 1

.XX±

DATE

.XXX±

ANG ±

照片框

ORDER INFORMATION

KKQTX12-0368VF22BL1-F5C-LF

SERIES

LEADFREE

50mm

FEMALE TO FEMALE

03 WAY TO 6.3X0.8

BLUE
22 AWG
VINYL FULL

煜倫股份有限公司

www.morethanall.com

SIZE A4

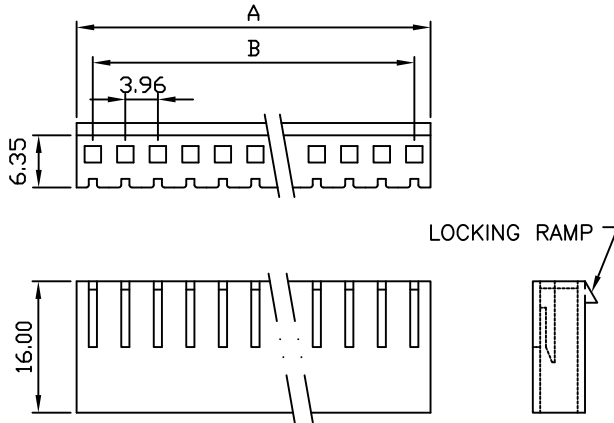
PPOJECTION

DESCRIPTION: CABLE ASS"Y

Features:

* MAT'L: NYLON 66 UL94V-2

unit:mm



WITH LOCKING RAMP	WITH LOCKING RAMP	DIM. A	DIM. B
	02	8.22	3.96
	03	12.18	7.92
	04	16.14	11.88
	05	20.10	15.84
	06	24.06	19.80
	07	28.02	23.76
	08	31.98	27.72
	09	35.94	31.68
	10	39.90	35.64
	11	43.86	39.60
	12	47.87	43.56
	13	51.78	47.52
	14	55.74	51.48
	15	59.70	55.44
	16	63.66	59.40
	17	67.62	63.36
	18	71.58	67.32
	19	75.54	71.28
	20	79.50	75.24

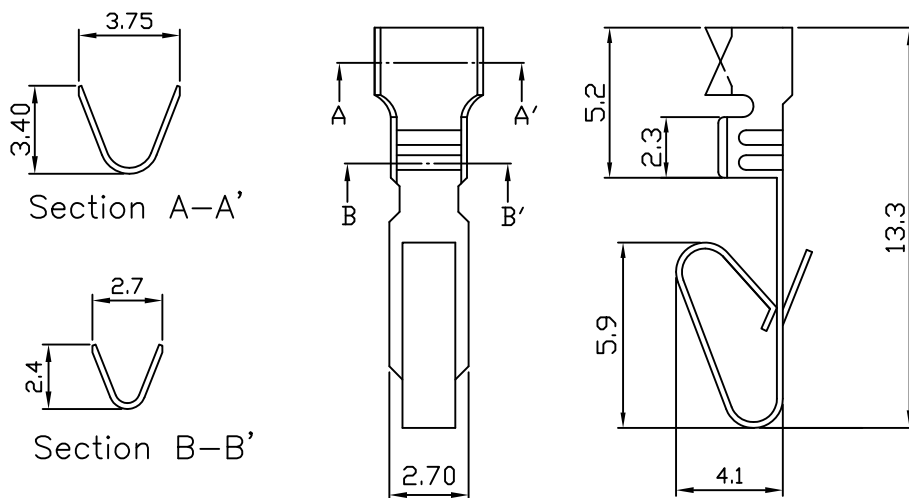
3.96/5.0/5.08 .156" (5.0mm)x .295" (7.5mm) PITCH TERMINAL

Features:

* THICKNESS: 0.25mm&0.30mm

* MAT'L: BRASS OR PHOSPHOR BRONZE TIN PLATED

unit:mm



PART NO.	WIRE RANGE	INSULATION O.D.	MATERIAL	FINISH	QTY/REEL
	AWG #18-#22	ø2.8mm MAX	Brass	Tin-plated	7,000
	AWG #18-#22	ø2.8mm MAX	Phosphor brass	Tin-plated	7,000