

NOTES:

1. ALL DIMENSIONS ARE "mm".
2. THE PRODUCT MUST BE COMPLY WITH THE DIRECTIVE OF ROHS.

ELECTRICAL TESTING:

1. 100% OPEN/SHORT TEST
2. CONTACT RESISTANCE: 5mΩ
3. INSULATION RESISTANCE: 5MΩ Min

NO.	ITEM.	DESCRIPTION	Q'TY
1	WIRE:	UL1015 #22 BROWN	1PCS
2	WIRE:	UL1015 #22 BLUE	1PCS
3	HOUSING:	KK-H-03	1PCS
4	TERMINAL:	KK-T-18	2PCS
5	TERMINAL:	Q250-FT8VF-16	2PCS
6			

RoHS Compliant

TOLERANCES ARE

**MORETHANALL**  
PCB CONNECTORS  
Cable ASSEMBLIES

煜倫股份有限公司

www.morethanall.com

DRAWING BY CY

CHECKED BY GENIUS

UNIT / mm

SCALE 1 : 1

DATE

SIZE A4

X. ±  
.X ±  
.XX ±  
.XXX ±  
ANG ±

PPOJECTION

照片框

ORDER INFORMATION

KKQTX12-036822-F5C-LF

SERIES

LEADFREE  
50mm  
FEMALE TO FEMALE  
22 AWG  
03 WAY TO 6.3X0.8

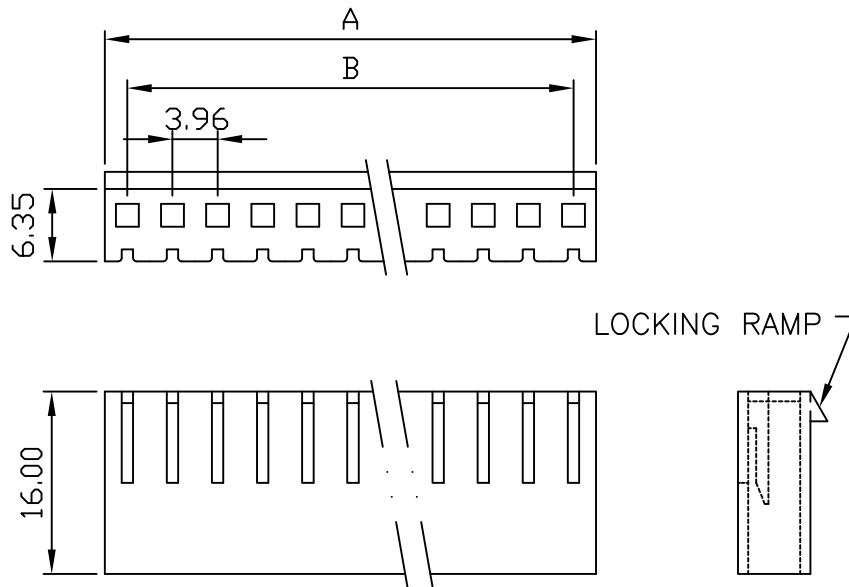
DESCRIPTION: CABLE ASS"Y

unit:mm

Features:

\* MAT'L: NYLON 66 UL94V-2

WITH LOCKING RAMP	DIM. A	DIM. B
02	8.22	3.96
03	12.18	7.92
04	16.14	11.88
05	20.10	15.84
06	24.06	19.80
07	28.02	23.76
08	31.98	27.72
09	35.94	31.68
10	39.90	35.64
11	43.86	39.60
12	47.87	43.56
13	51.78	47.52
14	55.74	51.48
15	59.70	55.44
16	63.66	59.40
17	67.62	63.36
18	71.58	67.32
19	75.54	71.28
20	79.50	75.24



RoHS Compliant

TOLERANCES ARE

**MORETHANALL**  
PCB CONNECTORS  
Cable ASSEMBLIES

DRAWING BY CY

CHECKED BY GENIUS

UNIT / mm

SCALE 1:1

DATE

SIZE A4

X.±  
.X±  
.XX±  
.XXX±  
ANG±

PJECTION

照片框

ORDER INFORMATION

KK-H-xx-LF  
SERIES | LEADFREE  
02-20 WAY  
HOUSING

煜倫股份有限公司

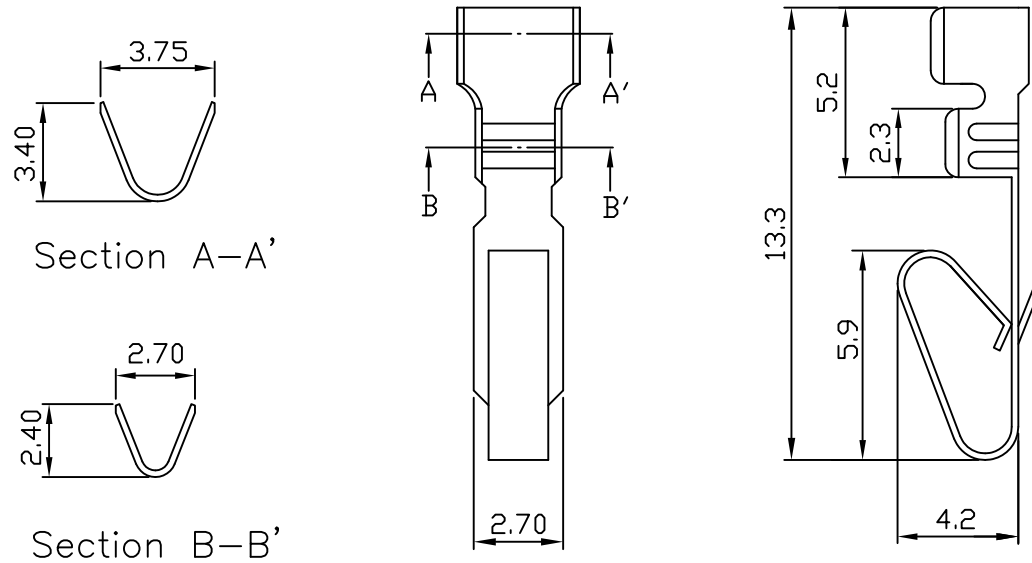
www.morethanall.com

DESCRIPTION:

Features:

unit:mm

- \* THICKNESS: 0.25mm & 0.30mm
- \* MAT'L: BRASS & PHOSPHOR BRONZE TIN PLATED
- \* ACCEPTS WITH: 1.14mm (.045") SQUARE PIN



PART NO.	WIRE RANGE	INSULATION O.D.	MATERIAL	FINISH	QTY/REEL
KK-T-16	AWG #16-#20	ø2.8mm max	BRASS/PHOSPHOR BRONZE	Tin-plated	6,000

RoHS Compliant

TOLERANCES ARE

**MORETHANALL**  
PCB CONNECTORS  
Cable ASSEMBLIES

煜倫股份有限公司

www.morethanall.com

DRAWING BY CY

CHECKED BY GENIUS

UNIT / mm

SCALE 1 : 1

DATE

SIZE A4

PJECTION

X. ±  
.X ±  
.XX ±  
.XXX ±  
ANG ±

照片框

ORDER INFORMATION

KK-T-16-LF  
SERIES | LEADFREE  
16-20 AWG  
TERMINAL

DESCRIPTION: