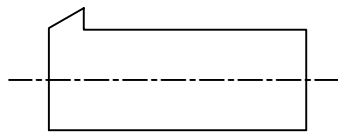
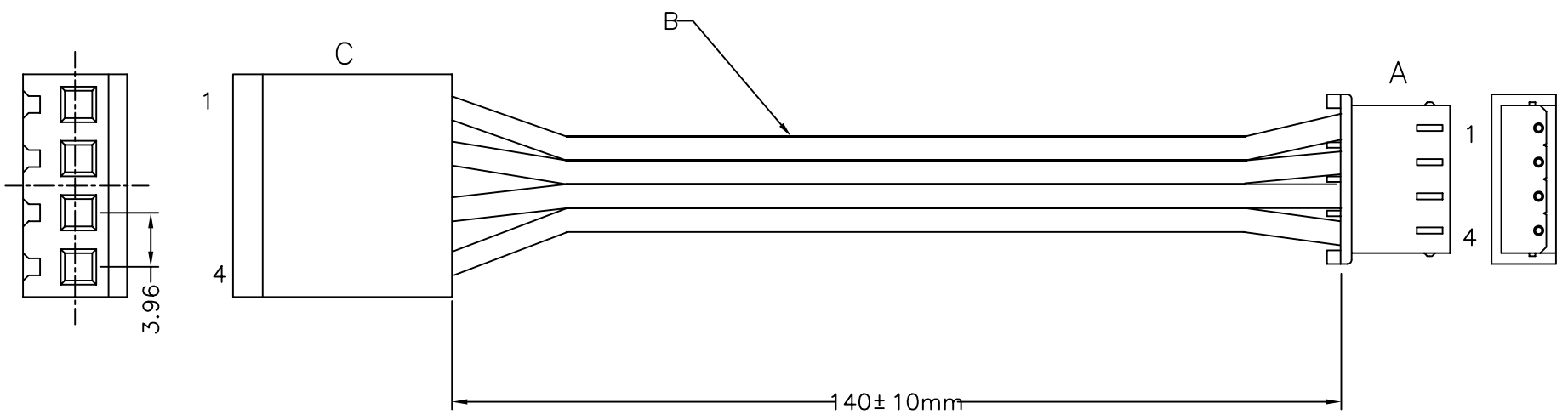


1 2 3 4 5 6 7 8 9 0

J
I
H
G
F
E
D
C
B
A



MX3.96 4P

4	綠	4
3	黃	3
2	橙	2
1	紅	1
CN1	顏色	CN2

NO	Q'TY	DESCRIPTION
C	1	3.96 4P
B	4	UL1007#22 併線 L=140mm
A	1	A2506 2.5(MOLEX) HOUSING 4P

MORETHANALL
CONNECTORS
ASSEMBLIES

焯倫有限公司

PART NO. KKMW-0404C11-F14C

DWG NO. KKMW-0404C11-F14C

FILE NO.

UNIT / mm

CHECKED BY CY

DRAWING BY

SCALE 1:1
PROJECTION

TOLERANCES ARE
.X ± 0.2
.XX ±
.XXX ±
AWG

DESCRIP TION:
AREA

3.96/2.5 4P 併線			
REVISIONS	HK	DATE	