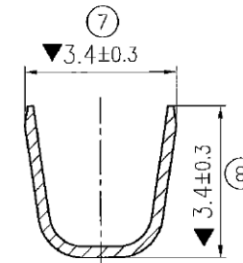
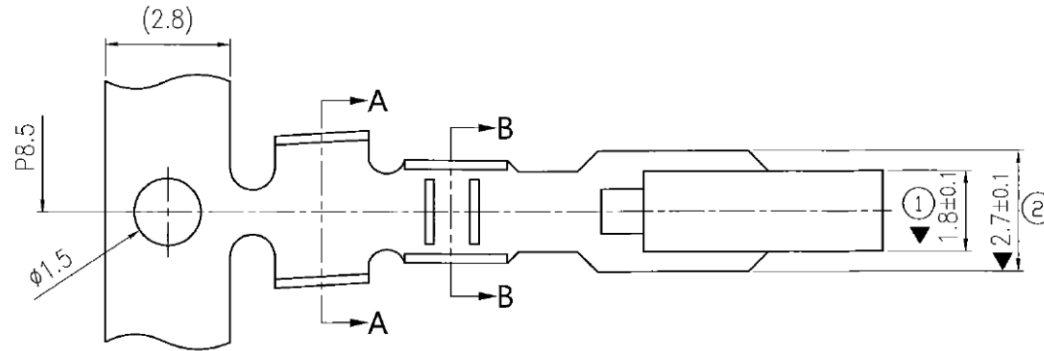


PART NO. 編號	PITCH 間距	MM ² 線徑	AWG WIRE SIZE	MATERIAL 材質	FINISH 表面處理	REMARK 備註
KK-T-18	8.5	18~24	2.1~1.4	黃銅 BRASS	預鍍錫 PRE-TIN	

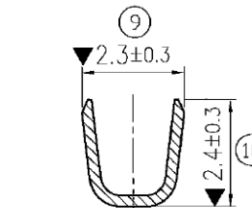
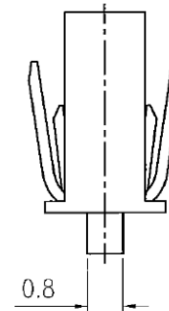
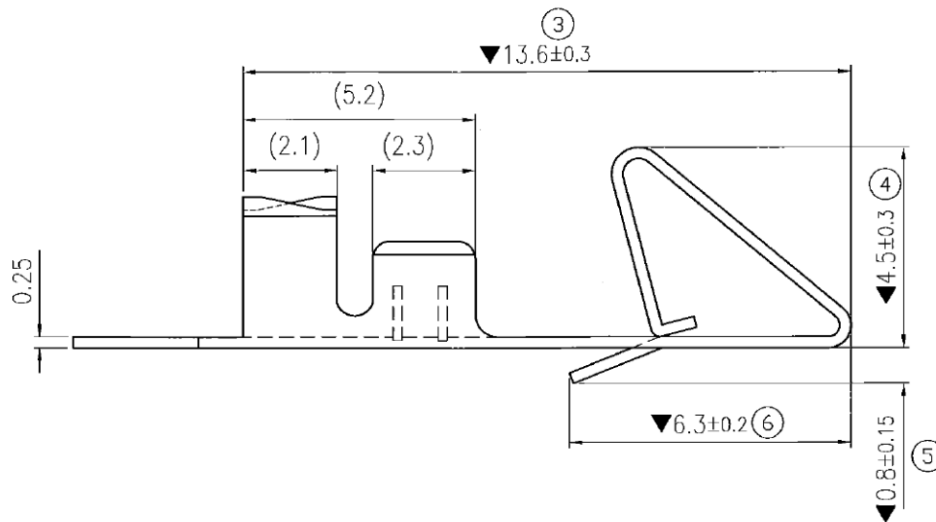
NOTES:

- 1.包裝數量：6000 PCS/R
- 2.表面處理：預鍍錫 40u" 以上

- 1.Packing Q'Ty : 6000 PCS/R
- 2.Plating : Pre-Tin 40u" min.



SECTION : A-A



SECTION : B-B

RoHS Compliant

TOLERANCES ARE

MORETHANALL
PCB CONNECTORS
Cable ASSEMBLIES

DRAWING BY CY

CHECKED BY GENIUS

UNIT/mm SCALE 1:1

DATE

SIZE A4

X. ±
.X ±
.XX ±
.XXX ±
ANG ±

PROJECTION

ORDER INFORMATION

KK-T-18-LF
SERIES | LEADFREE
18~24AWG
TERMINAL

煜倫股份有限公司

www.morethanall.com

DESCRIPTION: 3.96mm Pitch Terminal