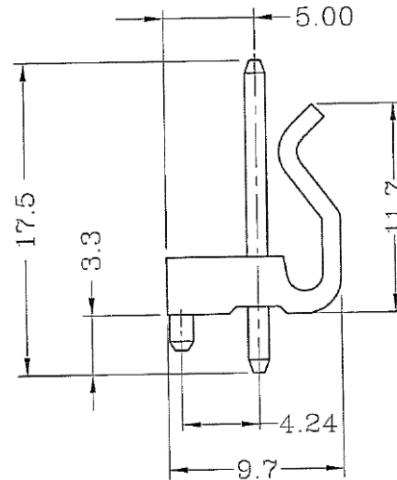
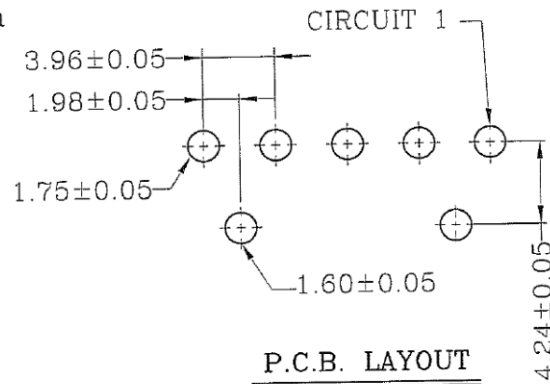
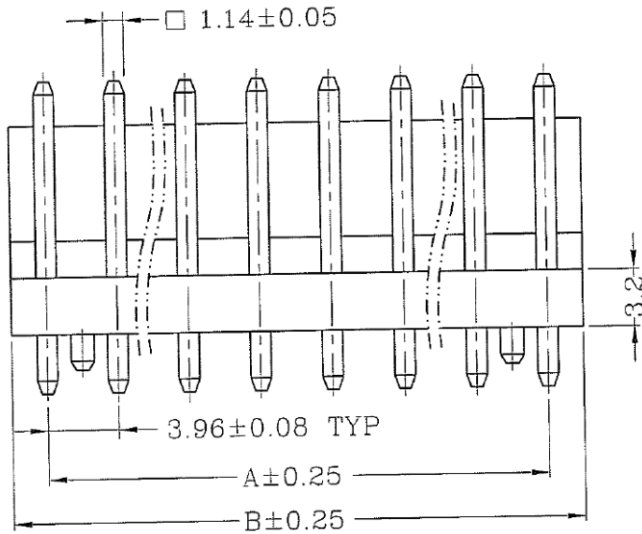
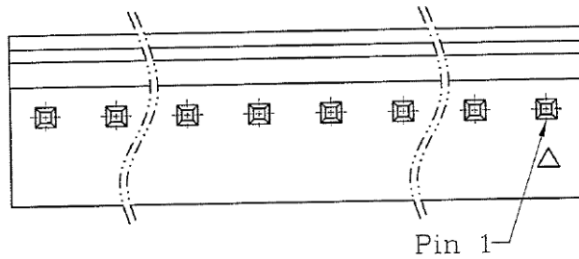


Material: Insulator: Nylon 66 UL 94V-0 (White)  
 Contact: 1.14mm Tin Plated Square Pin



Dimensional & Ordering Information:

Circuits	Dimensions		PCS/BAG
	A	B	
2	3.96	7.92	1000
3	7.92	11.88	1000
4	11.88	15.84	1000
5	15.84	19.80	1000
6	19.80	23.76	1000
7	23.76	27.72	500
8	27.72	31.68	500
9	31.68	35.64	500
10	35.64	39.60	250
11	39.60	43.56	250
12	43.56	47.52	200
13	47.52	51.48	200
14	51.48	55.44	200
15	55.44	59.40	200
16	59.40	63.36	200
17	63.36	67.32	100
18	67.32	71.28	100
19	71.28	75.24	100
20	75.24	79.20	100

RoHS Compliant

TOLERANCES ARE

**MORETHANALL**  
 PCB CONNECTORS  
 Cable ASSEMBLIES

DRAWING BY CY

CHECKED BY GENIUS

UNIT / mm

SCALE 1:1

DATE

SIZE A4

PJECTION

X, ±  
 .X ±  
 .XX ±  
 .XXX ±  
 ANG ±

照片框

ORDER INFORMATION

KK-DP-xx-LF  
 SERIES | LEADFREE  
 | 02~20 WAY  
 | POST  
 | DIP180°

煜倫股份有限公司

www.morethanall.com

DESCRIPTION: