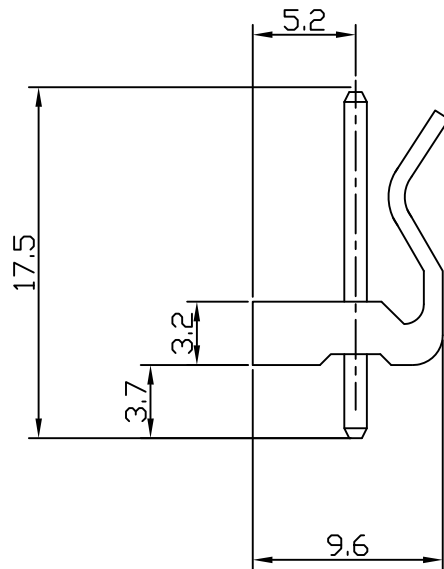
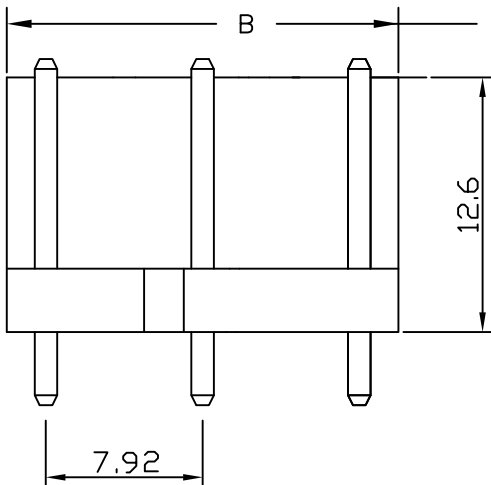


RECOMMENDED P.C.BOARD HOLE DIMM.



SPECIFICATIONS

Electrical

Current Rating: 5A AC, DC

Voltage Rating: 250V AC, DC

Operating Temp.: -25°C ~ +85°C

Insulation Resistance: 1000MΩ/ min.

Dielectric Withstanding Voltage: 1500V AC/ min.

Contact Resistance: 10mΩ/ max.

Material

Material: Nylon66, UL94V-2

RoHS Compliant

TOLERANCES ARE

MORETHANALL
PCB CONNECTORS
Cable ASSEMBLIES

DRAWING BY CY

X, ±

CHECKED BY GENIUS

.X ± 0.50

UNIT / mm

SCALE 1 : 1

.XX ± 0.35

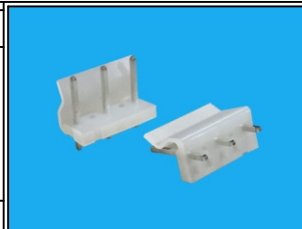
DATE

.XXX ±

ANG ±

SIZE A4

PPOJECTION



ORDER INFORMATION

KK-DEE-03-LF
SERIES | LEADFREE
03 WAY
EMPTY EVEN
DIP180°

煜倫股份有限公司

www.morethanall.com

DESCRIPTION: 3.96mm Wire-to-Board Header Dip 180° Type