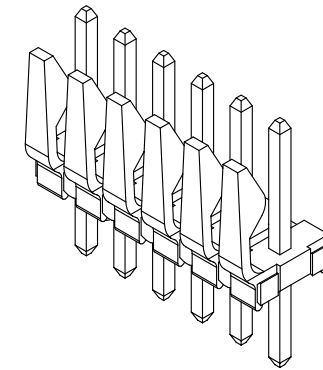
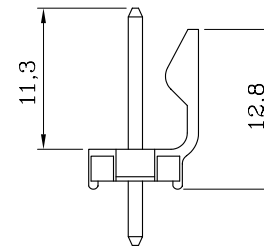
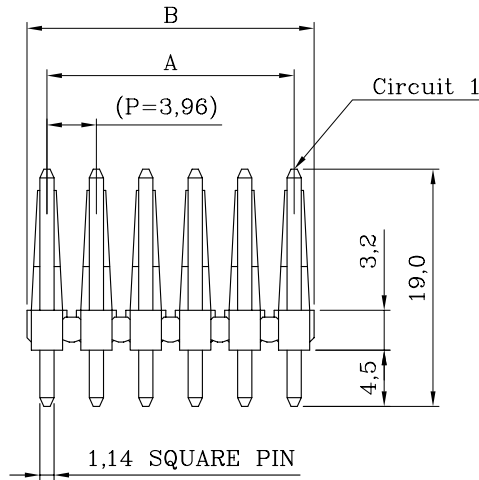
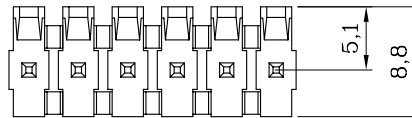
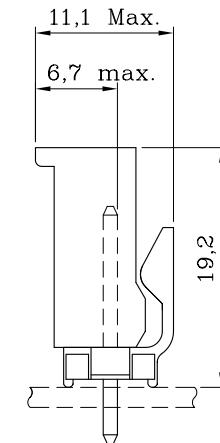


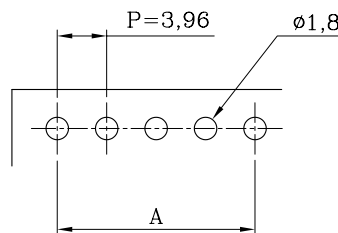
Circuits	Dimension	
	A	B
2	3.96	7.16
3	7.92	11.12
4	11.88	15.08
5	15.84	19.04
6	19.80	23.00
7	23.76	26.96
8	27.72	30.92
9	31.68	34.88
10	35.64	38.84
11	39.60	42.80
12	43.56	46.76
13	47.52	50.72
14	51.48	54.68
15	55.44	58.64



ISOMETRIC VIEW



ASSEMBLY LAYOUT



P.C. BOARD LAYOUT  
(COMPONENT SIDE)

NOTES:

- MATERIAL:  
BASE: PBT-GF 94V-0, BLACK COLOR  
CONTACT PIN: BRASS

RoHS Compliant

TOLERANCES ARE

**MORETHANALL**  
PCB CONNECTORS  
Cable ASSEMBLIES

DRAWING BY CY

CHECKED BY GENIUS

UNIT / mm

SCALE 1 : 1

DATE

SIZE A4

PJECTION

X. ±  
.X ±  
.XX ±  
.XXX ±  
ANG ±

照片框

ORDER INFORMATION

KK-DB-xx-LF  
SERIES | LEADFREE  
02~15WAY  
BREAKAWAY  
DIP 180°

煜倫股份有限公司

www.morethanall.com

DESCRIPTION: 3.96 PITCH SINGLE-ROW S/T HEADER