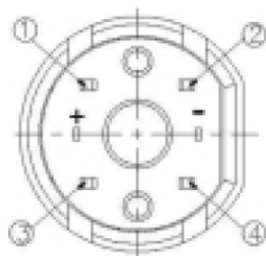
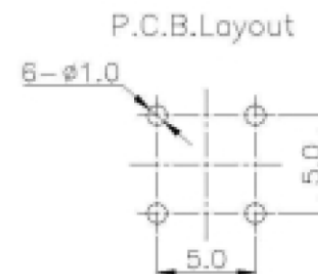
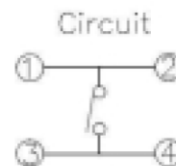
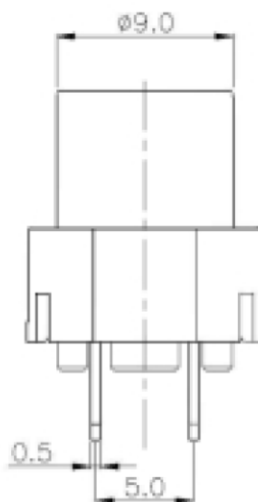
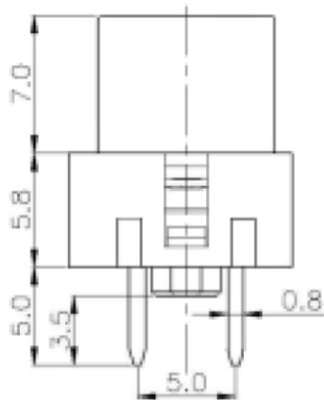
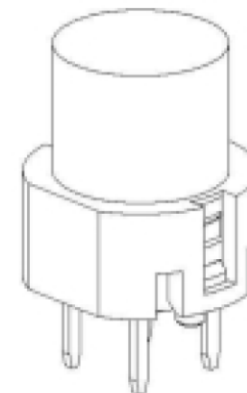


BUTTON COLOR					
RD	YL	GR	BL	WH	BK
Red	Yellow	Green	Blue	White	Black



RoHS Compliant

TOLERANCES ARE

**MORETHANALL**  
PCB CONNECTORS  
Cable ASSEMBLIES

DRAWING BY CY

CHECKED BY GENIUS

UNIT / mm SCALE 1 : 1

DATE

SIZE A4

X.±  
.X±  
.XX±  
.XXX±  
ANG±

PPOJECTION

照片框

ORDER INFORMATION

KBSW-DR70cc-xxx-LF

SERIES	LEADFREE
DIP 180°	130:130g
ROUND HEAD	180:180g
7.0mm	250:250g
	RD:RED
	BK:BLACK

DESCRIPTION:

煜倫股份有限公司

www.morethanall.com