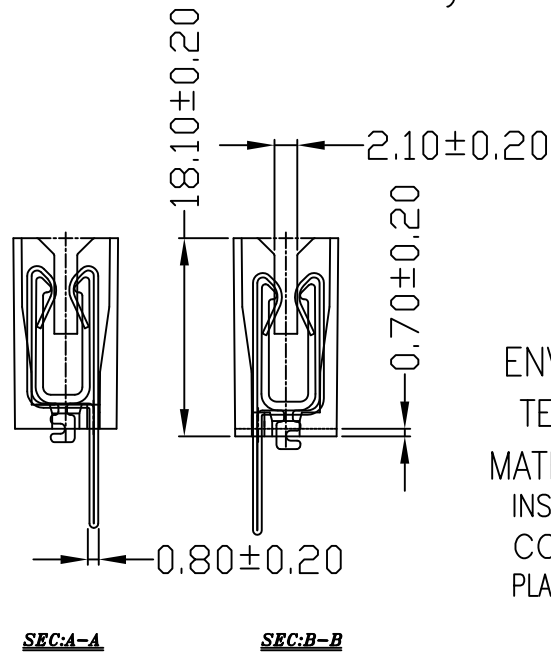
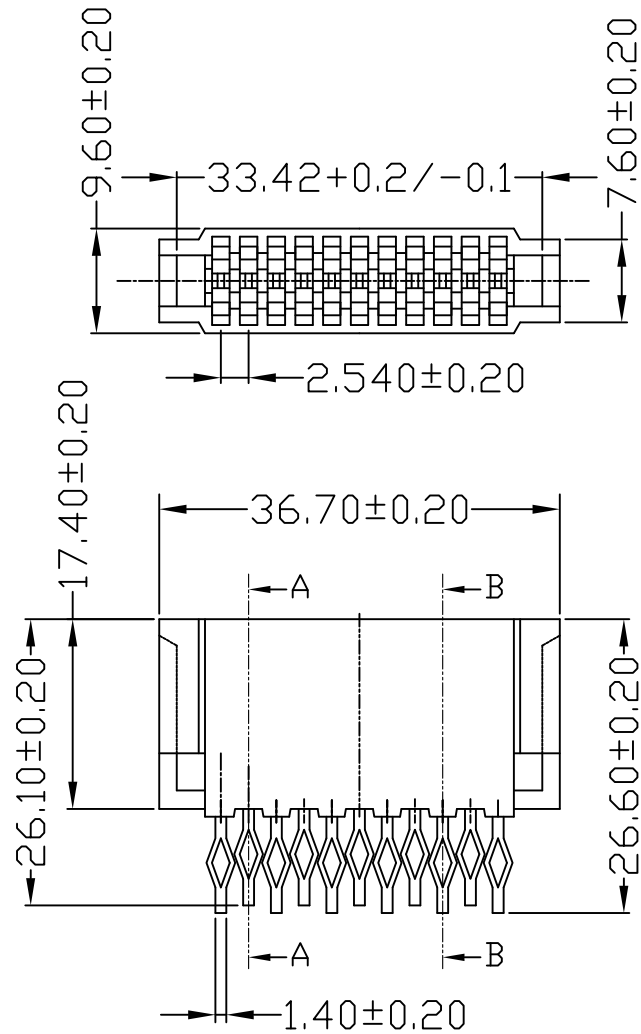


- More than 6000 mating cycles
- Integrated spring clip for max carrying capacity
- Female connector in 11 way execution
- Solder lug, dip solder or wire wrap connection
- Standardised to the requirements of DIN 416120,lec 130-11 and specified as Connector 63F by the German postal Authorities



ENVIRONMENTAL

TEMPERATURE RANGE: -55°C TO +85°C.

MATERIAL

INSULATOR: PC#2805 UL 94V0.

CONTACT: PHOSPHOR BRONZE

PLATING: MATING AREA - GOLD FLASH GOLD OVER NICKEL  
SOLDER AREA - TIN OVER NICKEL.

RoHS Compliant

TOLERANCES ARE

**MORETHANALL**  
PCB CONNECTORS  
Cable ASSEMBLIES

煜倫股份有限公司

www.morethanall.com

DRAWING BY CY

CHECKED BY GENIUS

UNIT / mm

SCALE 1 : 1

DATE

SIZE A4

PJECTION

X, ±  
.X ±  
.XX ±  
.XXX ±  
ANG ±

照片框

ORDER INFORMATION

ISEP-SS30-11-LF  
SERIES | | | LEADFREE  
| | | 11 WAY  
| 30u" GOLD  
SOLDER  
FEMALE

DESCRIPTION: