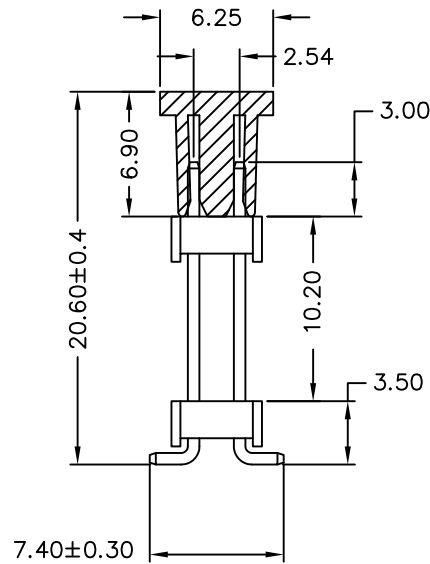


Recommended P.C.B Layout



**MATERIAL**

Insulator : NY6T

Contact Pin : Brass

**SPECIFICATION**

Current Rate : 3 AMP

Insulation Resistance : 5000MΩMin. at DC 500V

Contact Resistance : 20mΩMax. at DC 100mA

Dielectric Voltage : AC 500V for one minute

Operating Temperature: -40°C to +105°C

**RoHS Compliant**

TOLERANCES ARE

**MORETHANALL**  
PCB CONNECTORS  
Cable ASSEMBLIES

煜倫股份有限公司

www.morethanall.com

DRAWING BY CY

CHECKED BY GENIUS

UNIT / mm

SCALE 1 : 1

DATE

SIZE A4

X. ±  
.X ± 0.30  
.XX ± 0.20  
.XXX ±  
ANG ± 3°

PPOJECTION

照片框

**ORDER INFORMATION**

HS-V137X30C-2X06-LF  
SERIES | | | | LEADFREE  
180°SMT | | | | CAP 12 WAY  
NON POST CONTACT 3.0mm  
HIGH 13.7mm

DESCRIPTION: PIN HEADER 2.54\*2.54mm SMT S/T TYPE, DUAL ROWS DUAL INSULATORS CAP+T/R